

Specifications

- Voltage rating: 100V AC, DC
- Current Rating: 2A, AC, DC
- Withstand voltage: 500V AC/minute
- Contact resistance: 20mΩ max
- Insulation resistance: 500mΩ min
- Temperature range: -25°C ~ +85°C
- Compliant with RoHS and REACH
- Contact JVT for details

Standards



Assembly layout

JVT1503H

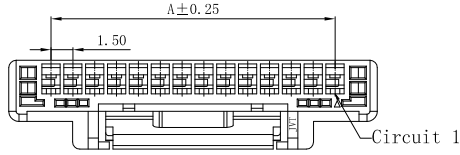
1.5mm Pitch housing

HOUSING

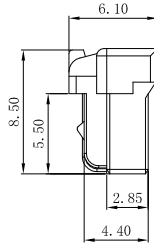
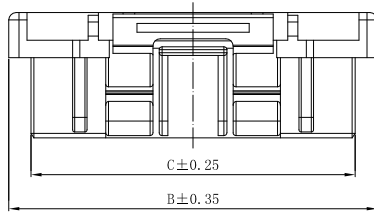
Part No.: JVT1503HPL-XXL

Material: PBT UL94V-0

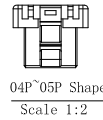
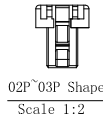
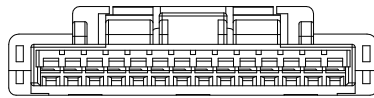
Mates With Part(s): JVT1503 Terminal



JVT1503HPT-XXL
logo
系列码
胶壳
L-带扣
PIN数
PT-PBT UL94V-0

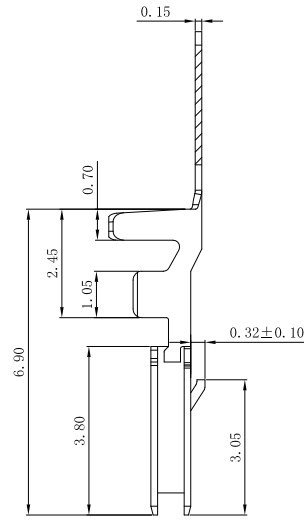
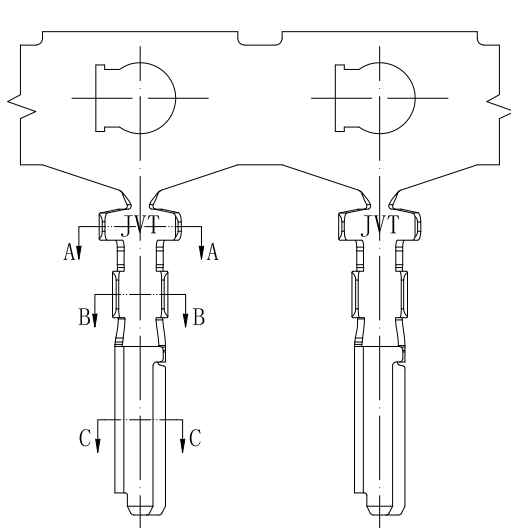


Poles	Dimensions (mm)		
	A	B	C
02	1.50	7.30	4.25
03	3.00	8.80	5.75
04	4.50	10.30	7.25
05	6.00	11.80	8.75
06	7.50	13.30	10.25
07	9.00	14.80	11.75
08	10.50	16.30	13.25
09	12.00	17.80	14.75
10	13.50	19.30	16.25
11	15.00	20.80	17.75
12	16.50	22.30	19.25
13	18.00	23.80	20.75
14	19.50	25.30	22.25
15	21.00	26.80	23.75

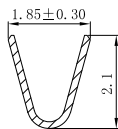


JVT1503T

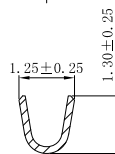
1.5mm Pitch Crimp Terminal



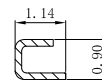
JVT1503TP-SNX
logo
系列码
端子
P-磷铜
S-先冲后镀
E-先镀后冲
SN-镀亮锡



SECTION: A-A
SCALE: 1:1



SECTION: B-B
SCALE: 1:1

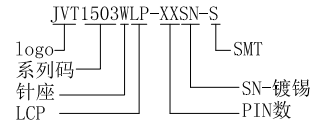
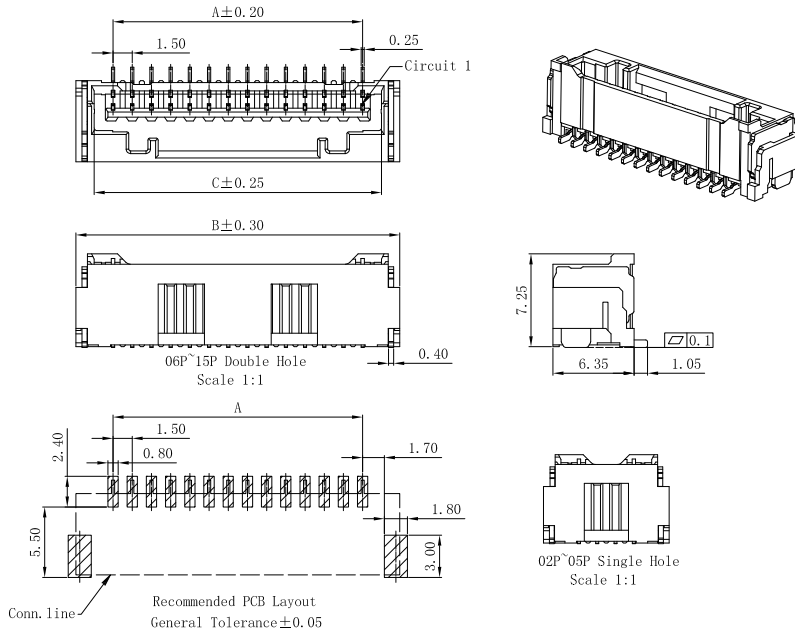


SECTION: C-C
SCALE: 1:1

JVT1503TP-SNX	Phos Bronze	Tin Plated	AWG#24-28	1.28mm(Max)	JVT1503 HOUSING
PART NO	Material	Finish(Pin)	Wire Range	Insulation O.D.	Mates With Part(s)

JVT1503W

1.5mm Pitch Wafer-SMT TYPE

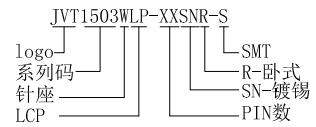
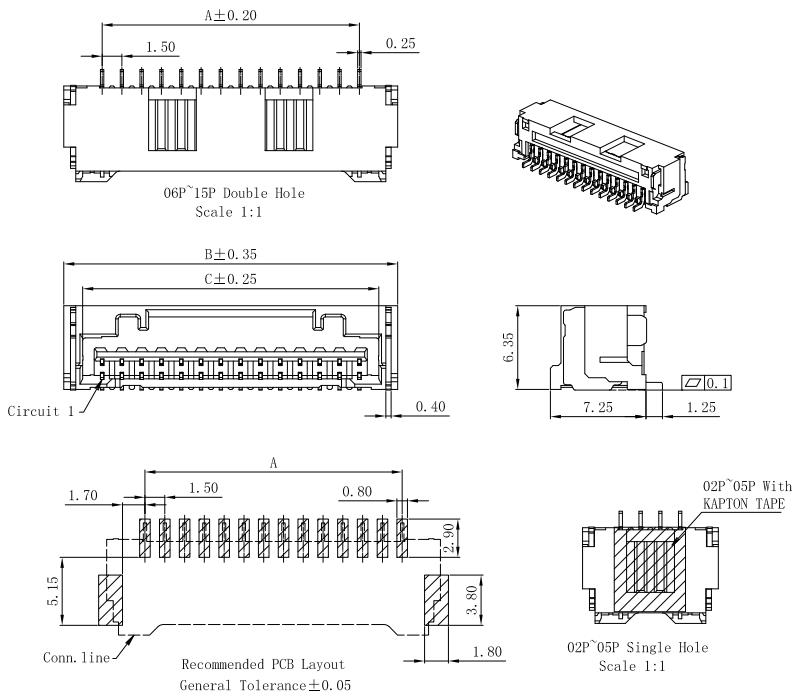


Poles	Dimensions (mm)		
	A	B	C
02	1.50	7.30	4.45
03	3.00	8.80	5.95
04	4.50	10.30	7.45
05	6.00	11.80	8.95
06	7.50	13.30	10.45
07	9.00	14.80	11.95
08	10.50	16.30	13.45
09	12.00	17.80	14.95
10	13.50	19.30	16.45
11	15.00	20.80	17.95
12	16.50	22.30	19.45
13	18.00	23.80	20.95
14	19.50	25.30	22.45
15	21.00	26.80	23.95

JVT1503WLP-XXSN-S	LCP	Phosphor Bronze	Tin plating	Brass	JVT1503 Housing
PART NO	Material	Material(Pin)	Finish(Pin)	Material (Solder Tabs)	Mates With Part(s)

JVT1503W

1.5mm Pitch 90°Wafer-SMT TYPE



Poles	Dimensions (mm)		
	A	B	C
02	1.50	7.30	4.45
03	3.00	8.80	5.95
04	4.50	10.30	7.45
05	6.00	11.80	8.95
06	7.50	13.30	10.45
07	9.00	14.80	11.95
08	10.50	16.30	13.45
09	12.00	17.80	14.95
10	13.50	19.30	16.45
11	15.00	20.80	17.95
12	16.50	22.30	19.45
13	18.00	23.80	20.95
14	19.50	25.30	22.45
15	21.00	26.80	23.95

JVT1503WLP-XXSNR-S	LCP	Phosphor Bronze	Tin plating	Brass	JVT1503 Housing
PART NO	Material	Material(Pin)	Finish(Pin)	Material (Solder Tabs)	Mates With Part(s)