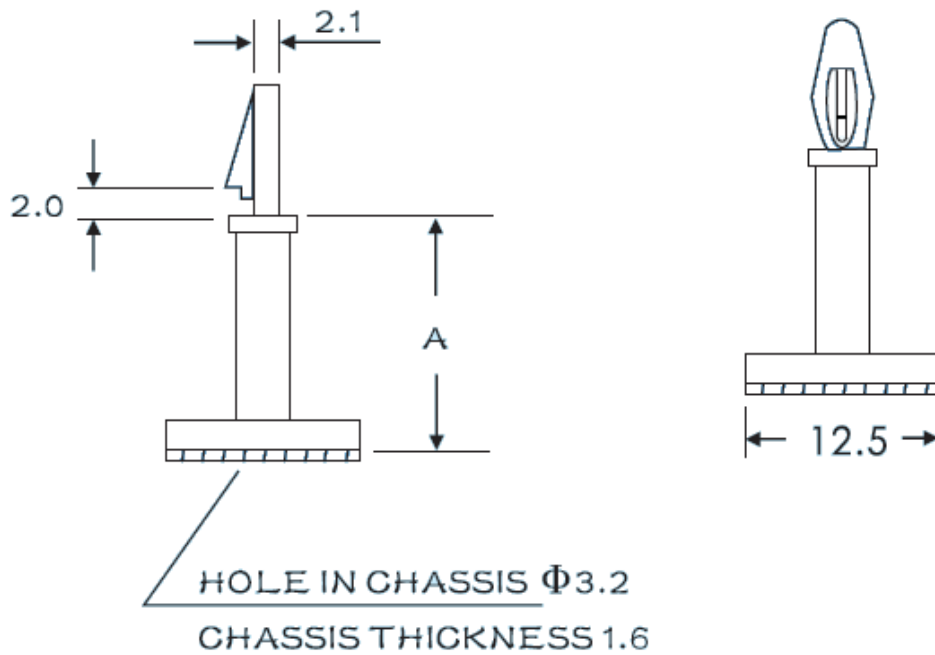


DSHC SERIES

| SYMBOL | A | PACKING |
|----------|------|----------|
| DS-HC-5 | 4.8 | 1000 PCS |
| DS-HC-6 | 6.3 | |
| DS-HC-8 | 7.9 | |
| DS-HC-9 | 9.4 | |
| DS-HC-11 | 11.0 | |
| DS-HC-13 | 12.6 | |
| DS-HC-14 | 14.2 | |
| DS-HC-16 | 15.8 | |



Material: Nylon66 (UL) (RoHS)

Flame Class: 94V-2

Color: Natural

Unit: mm

