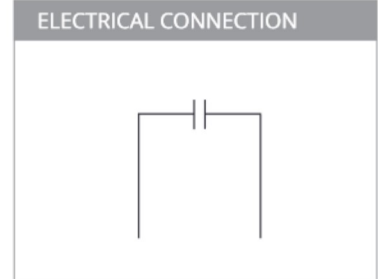
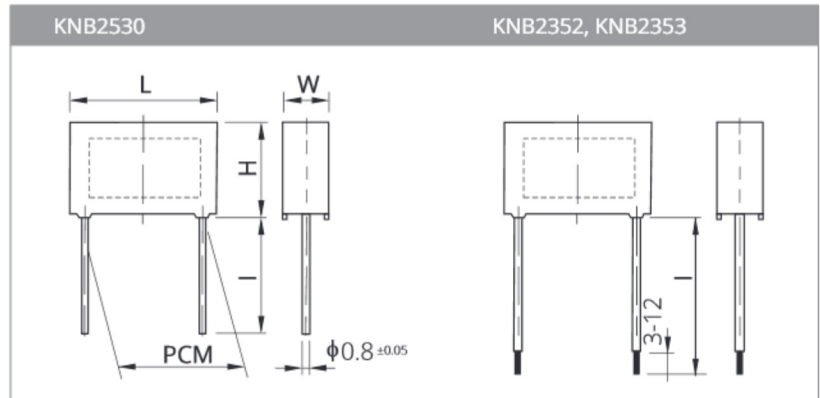
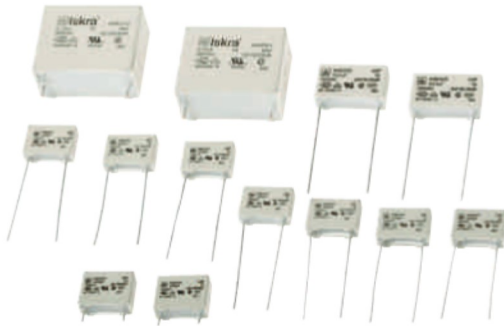


CAPACITORS

TYPE KNB2520, KNB2522, KNB2523

CLASS Y2

250 V AC
300 V AC



TECHNICAL DATA



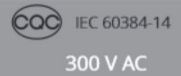
■ CONSTRUCTION	POLYPROPYLENE FILM, METALLIZED
■ RATED VOLTAGE	250 V AC, 300 V AC
■ CAPACITANCE TOLERANCE	$\pm 10\%$, $\pm 20\%$
■ CLIMATIC CATEGORY	40/100/56 ACC. TO IEC 60068-1
■ PASSIVE FLAMMABILITY	ACC. TO IEC 60384-14
■ TEMPERATURE RANGE	-40 ° to +100 °C
■ TEST VOLTAGE	4000 V DC, 1 s
■ MAX. PULSE RISE TIME du/dt , AT 425 V DC	3000 V / μ s FOR 1000 pF 2500 V / μ s FOR 1500 pF 2000 V / μ s FOR 2200 pF UP TO 6800 pF PCM10 1000 V / μ s FOR PCM ≥ 15 100 V / μ s FOR PCM = 27.5 mm ACC. TO IEC 60384-14
■ INSULATION RESISTANCE AT 20 °C, $U_m = 100$ V DC, $t = 1$ min	$R_i \geq 15000$ M Ω
■ DIELECTRIC LOSS $TAN\delta$ AT $F = 1$ kHz AND 20 °C	$\leq 15 \times 10^{-4}$
■ SOLDERING	IEC 60068-2-20, MAX. 2 s
■ RESISTANCE TO SOLDERING HEAT	IEC 60068-2-20, 260 °C ± 5 °C, 10 s ± 1 s
■ SELF INDUCTANCE	APPROX. 10 nH/cm OF CAPACITOR LENGTH AND TERMINALS
■ COMPLIES TO	IEC 60384-14, UL 60384-14 CSA 60384-14
■ APPLICATION	RFI SUPPRESSION CLASS Y2 (LINE TO GROUND CONNECTION)

CAPACITORS

TYPE KNB2520, KNB2522, KNB2523

CASING: THERMOPLASTIC (PP OR ON REQUEST PBT HF) SEALED WITH SYNTHETICAL RESIN	THERMOPLASTIC MATERIAL AND SYNTHETICAL RESIN ARE SELF-EXTINGUISHING ACCORDING TO UL 94. CLASS V-0.	
TERMINALS		
TYPE	TERMINAL LENGTH	TYPE OF TERMINALS
KNB2520	3 ^{±0.5} , 4 ^{±0.5} , 6 ^{±1} , 9 ^{±1} , 15 ^{±2} , 20 ^{±2} , 25 ^{±5} , 30 ^{±5} , 50 ^{±5} mm, OTHER ON REQUEST	TINNED COPPER WIRE
KNB2522	20 TO 200 mm	INSULATED STRANDED WIRE 0.5 mm ²
KNB2523	20 TO 200 mm	INSULATED SOLID WIRE ϕ 0.8 mm, TERMINAL ENDS ON REQUEST

STANDARD VALUES KNB2520, KNB2522, KNB2523, 250 V AC, 300 V AC, CLASS Y2

CAPACITANCE C (pF)	DIMENSIONS					 IEC 60384-14 300 V AC	FOR CAPACITORS WITH INSULATED LEADS ON REQUEST	
	L (mm)	H (mm)	W (mm)	PCM (mm)	ϕ (mm)		 UL 60384-14 CSA 60384-14 275 V AC/300 V AC	 IEC 60384-14 300 V AC
1000	13	9.5	4.3	10	0.6	●	●	●
1500	13	9.5	4.3	10	0.6	●	●	●
2200	13	9.5	4.3	10	0.6	●	●	●
2500	13	9.5	4.3	10	0.6	●	●	●
2700	13	9.5	4.3	10	0.6	●	●	●
2800	13	9.5	4.3	10	0.6	●	●	●
3300	13	10.5	5	10	0.6	●	●	●
4700	13	11.5	6	10	0.6	●	●	●
5000	13	11.5	6	10	0.6	●	●	●
6800	13	12	6	10	0.6	●	●	●
6800	18	11	5.5	15	0.8	●	●	●
10000	18	11	5.5	15	0.8	●	●	●
15000	18	12	6	15	0.8	●	●	●
22000	18	13	7	15	0.8	●	●	●
25000	18	13.5	7.5	15	0.8	●	●	●
27000	18	13.5	7.5	15	0.8	●	●	●
33000	18	14.5	9	15	0.8	●	●	●
39000	18	18.5	9	15	0.8	●	●	●
47000	18	18.5	9	15	0.8	●	●	●
33000	26.5	14	6	22.5	0.8	●	●	●
39000	26.5	15	6	22.5	0.8	●	●	●
47000	26.5	16	7	22.5	0.8	●	●	●
56000	26.5	16.5	8.5	22.5	0.8	●	●	●
68000	26.5	17	8.5	22.5	0.8	●	●	●
100000	27	19	10.5	22.5	0.8	●	●	●
120000	26.5	20.5	11	22.5	0.8	●	●	●
150000	26.5	21.5	12.5	22.5	0.8	●	●	●

● APPROVALS IN USE