

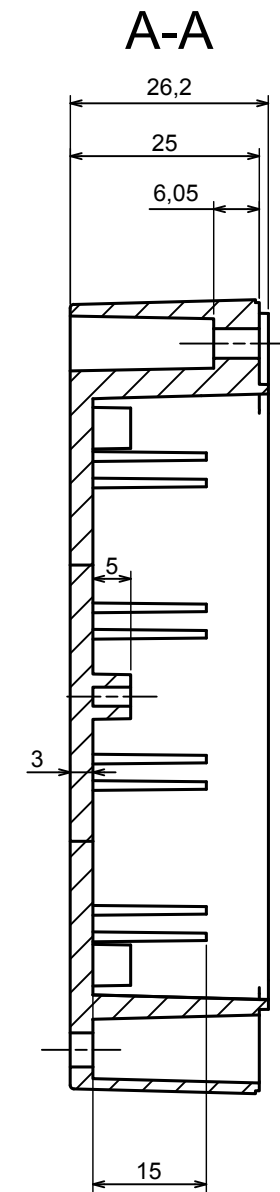
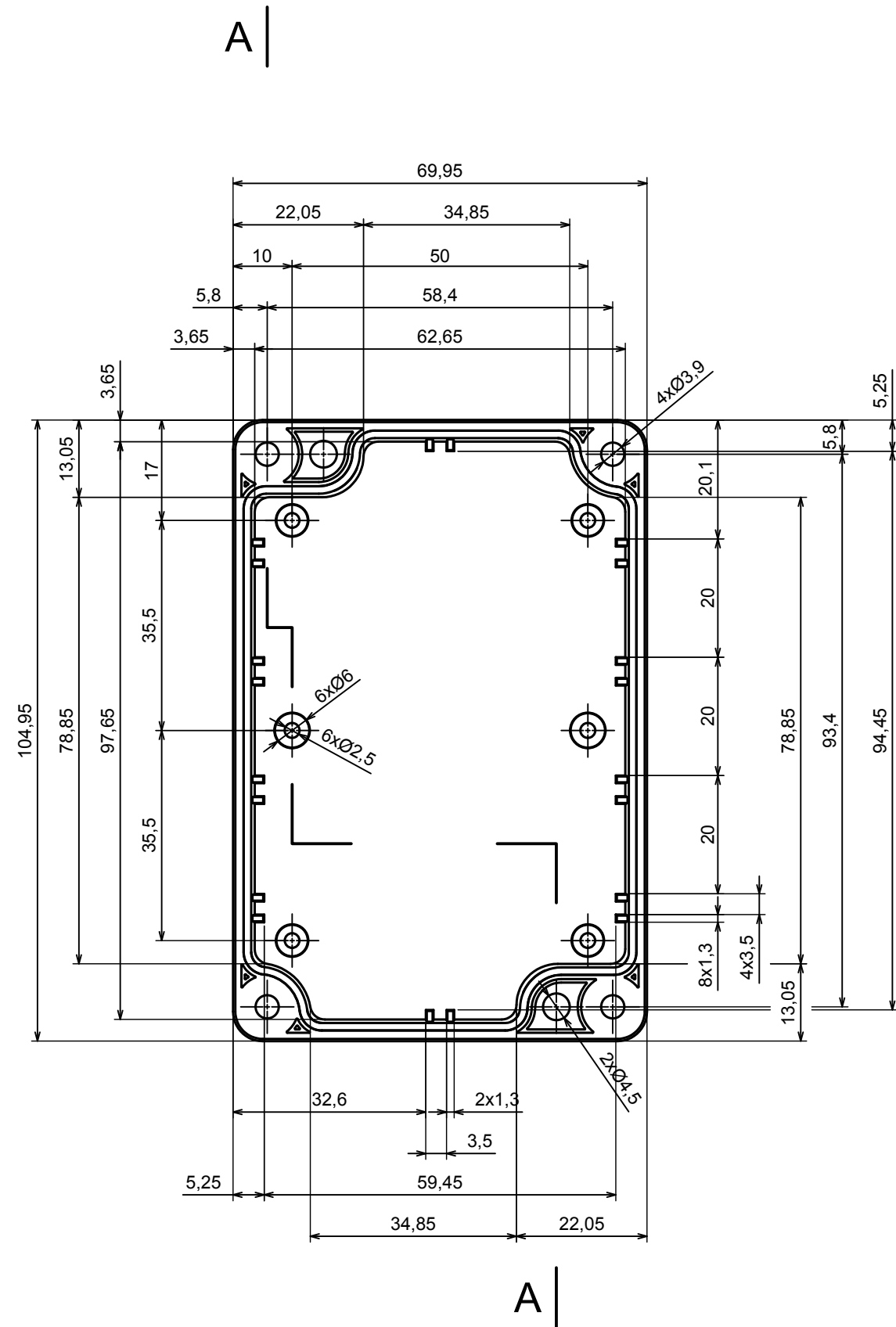
All rights reserved, Copyright Kradox 2018

Product model Enclosure Z128 - Assembly

Format: A3 Material: PC, ABS

Scale 1:1 Tolerance: +/- 0.6





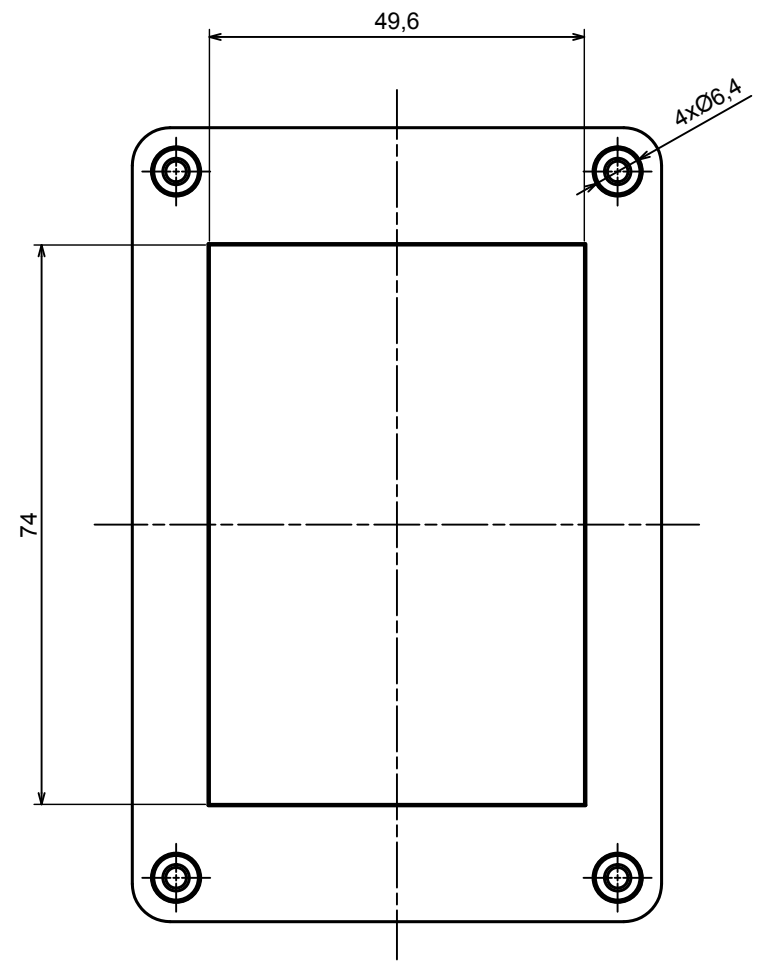
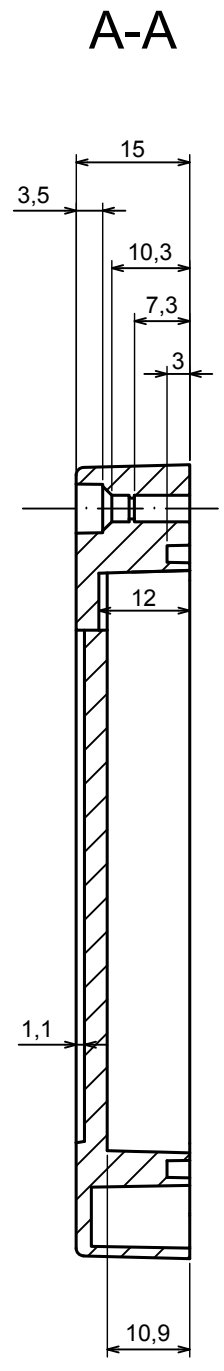
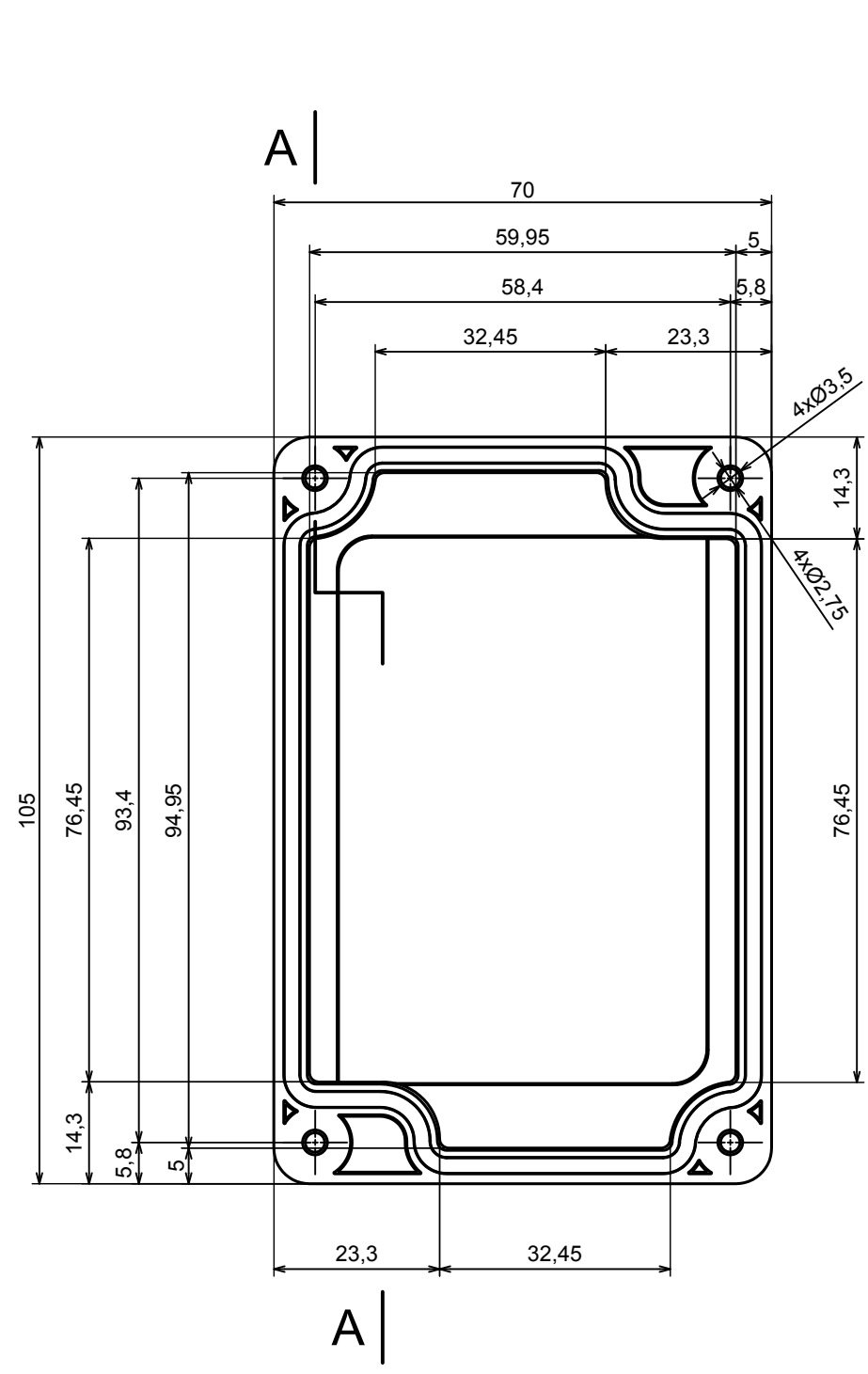
All rights reserved, Copyright Kradox 2018

Product model: Enclosure Z128 - Base

Format: A3 Material: PC, ABS

Scale 1:1 Tolerance: +/- 0.6





All rights reserved, Copyright Kradox 2017	
Product model	Enclosure Z128 - Cover
Format: A3	Material: PC, ABS
Scale 1:1	Tolerance: +/- 0.6

