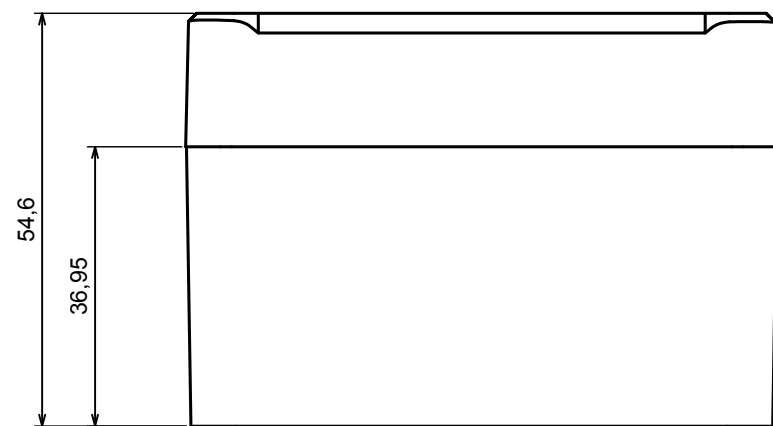
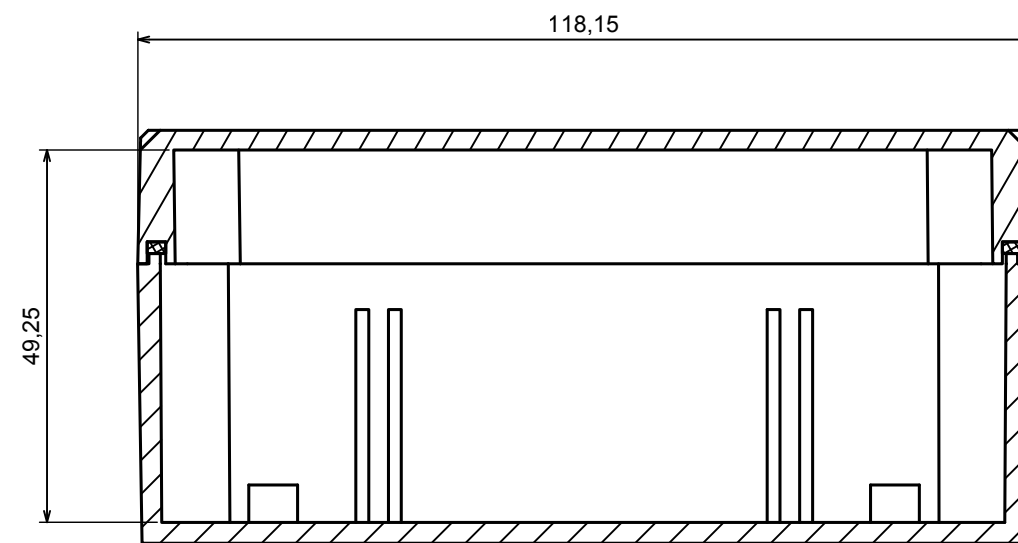



A |

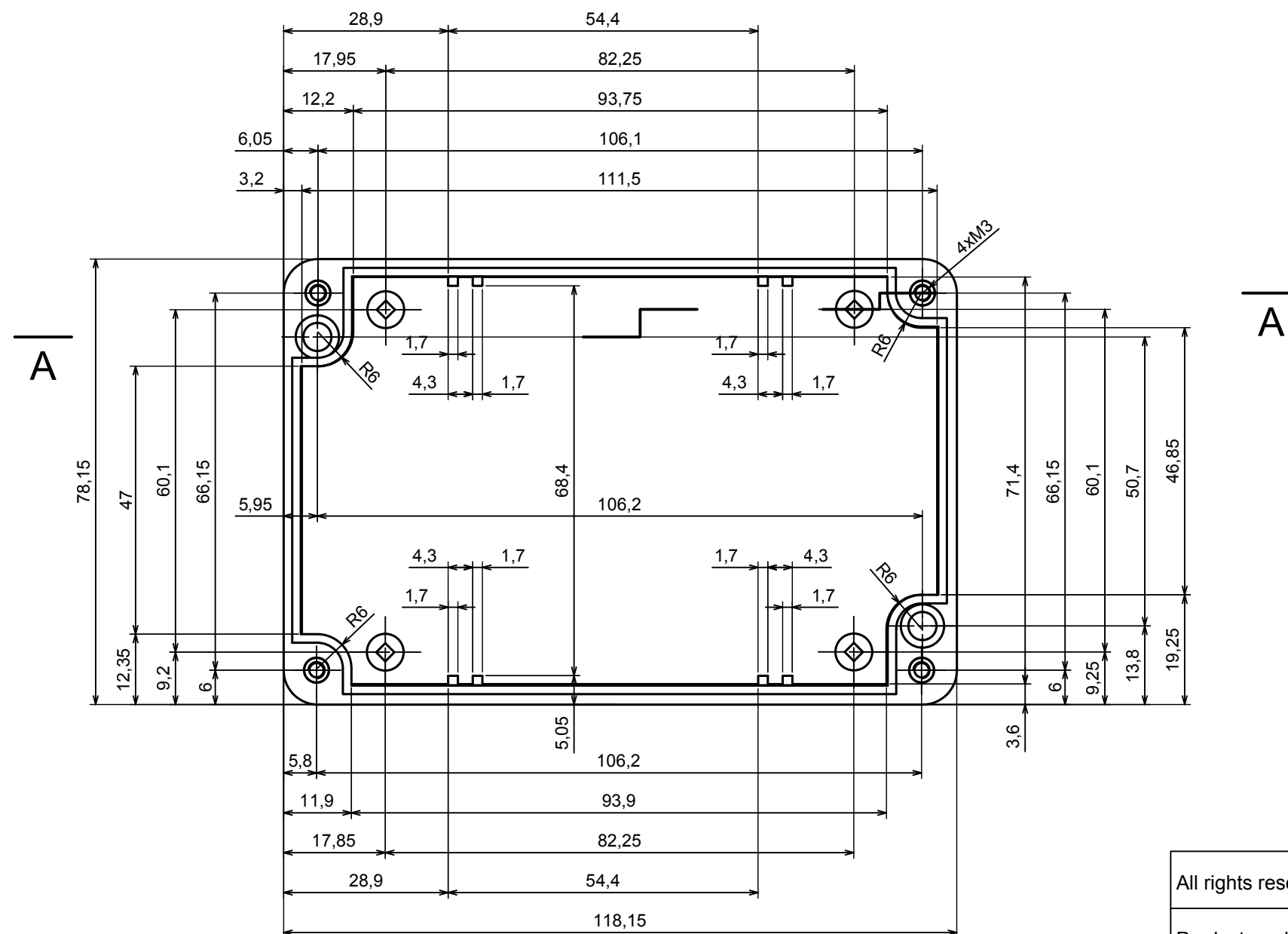
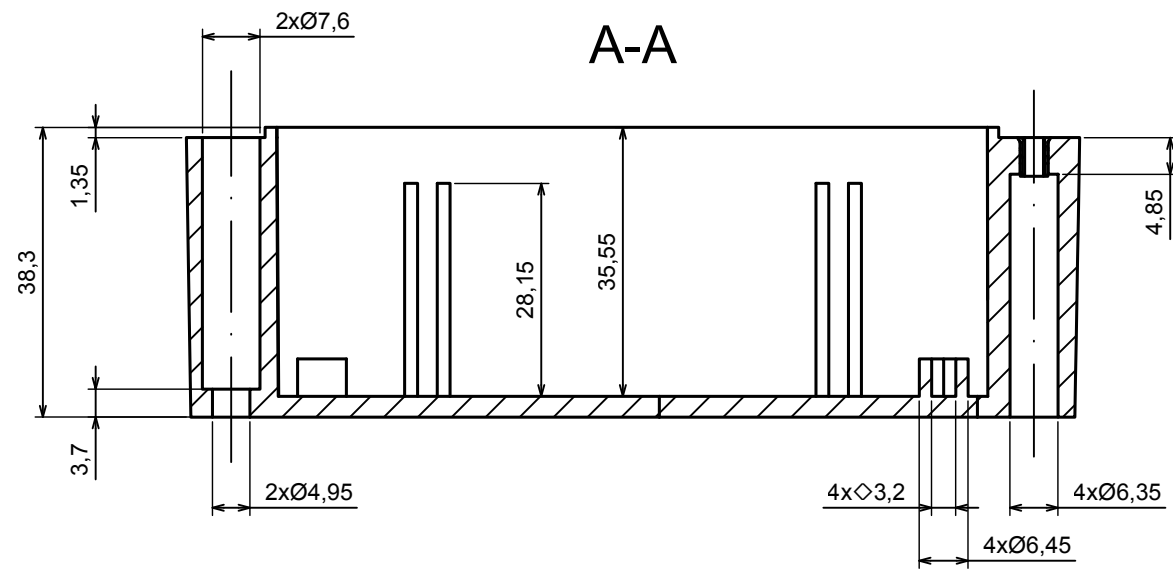


A-A



A |

All rights reserved, Copyright Kradex 2017		
Product model	Enclosure Z57S - Assembly	
Format: A3	Material: PS, ABS	
Scale 1:1	Tolerance: +/- 0.5	



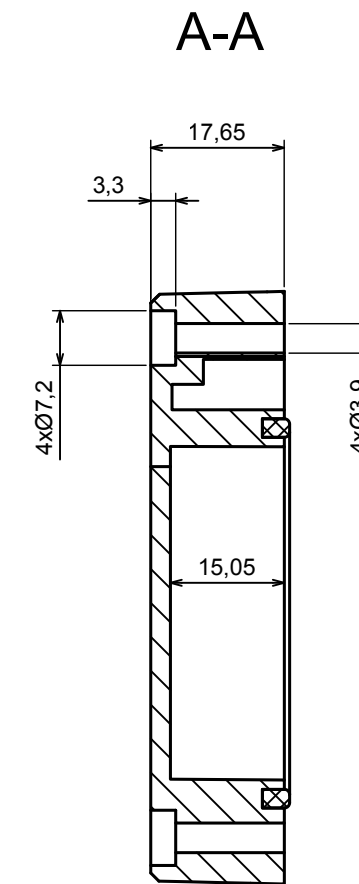
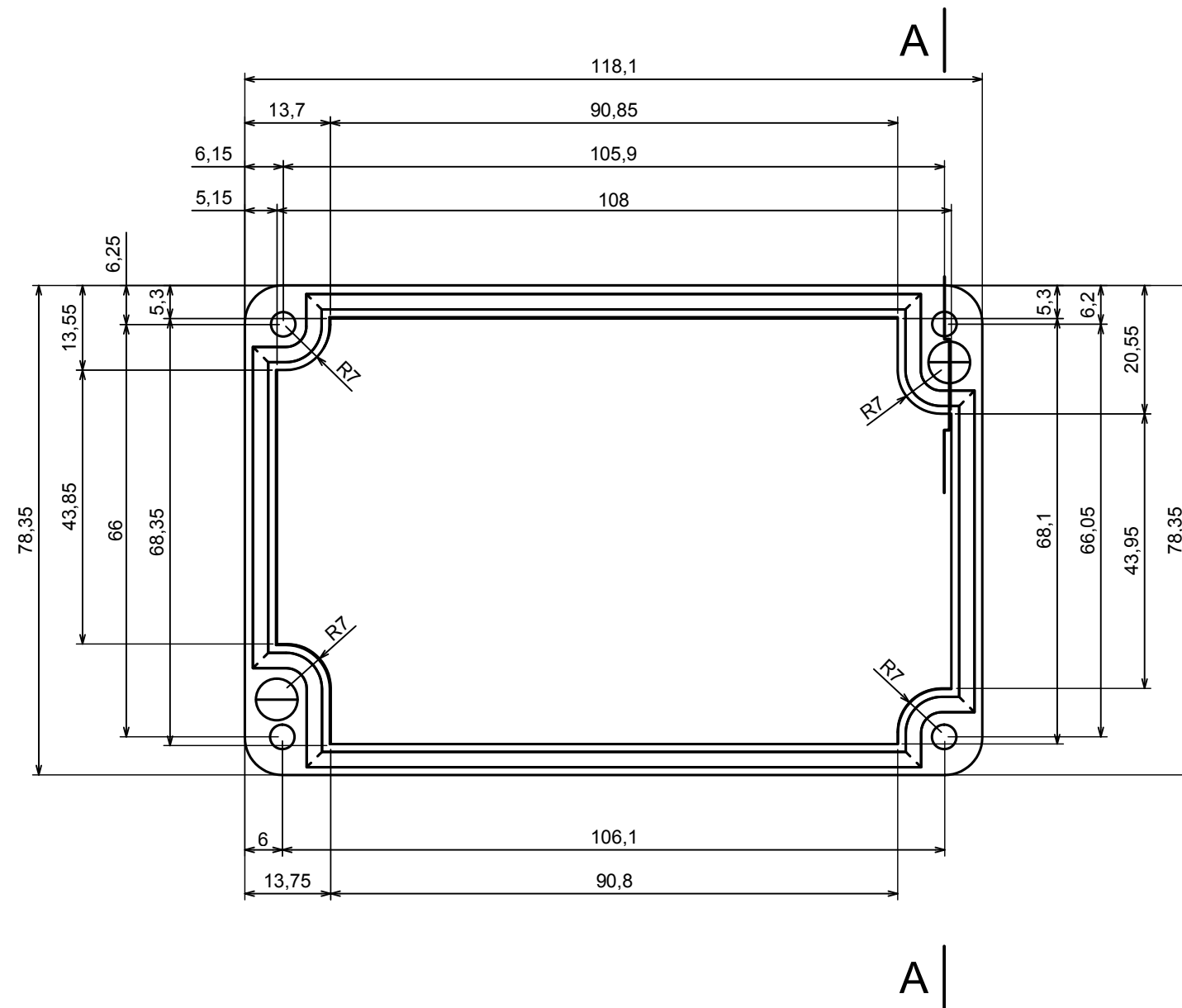
All rights reserved, Copyright Kradox 2017

Product model Enclosure Z57S - Base

Format: A3 Material: PS, ABS

Scale 1:1 Tolerance: +/- 0.5





All rights reserved, Copyright Kradox 2017

Product model: Enclosure Z57S - Cover

Format: A3 Material: PS, ABS

Scale 1:1 Tolerance: +/- 0.5

