

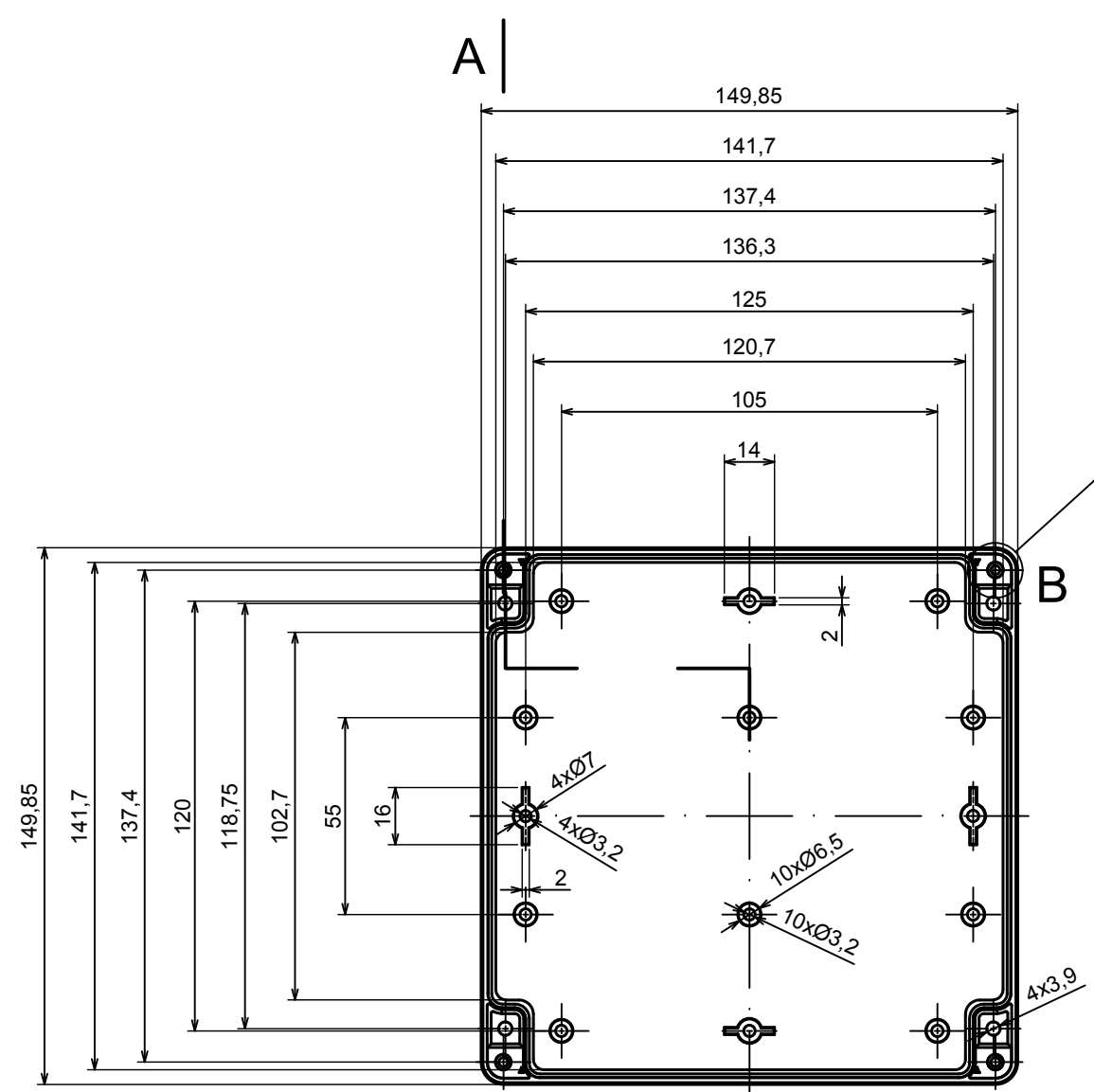
All rights reserved, Copyright Kradex 2018

Product model Enclosure ZP150.150.60J TM - Assembly

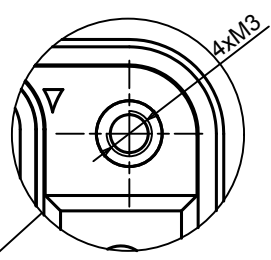
Format: A3 Material: PC, ABS

Scale 1:2 Tolerance: +/- 0.6

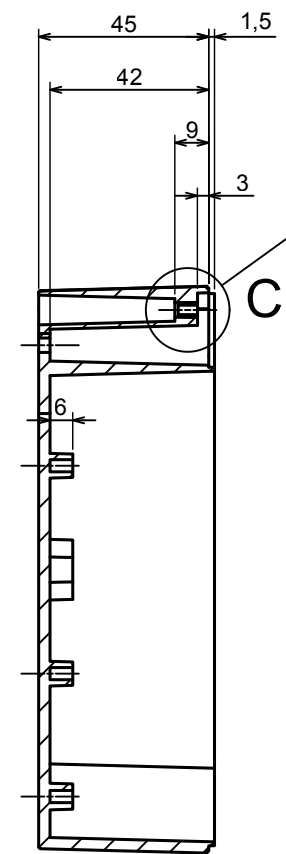




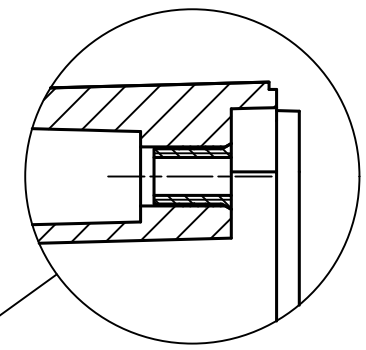
B (2:1)




A-A

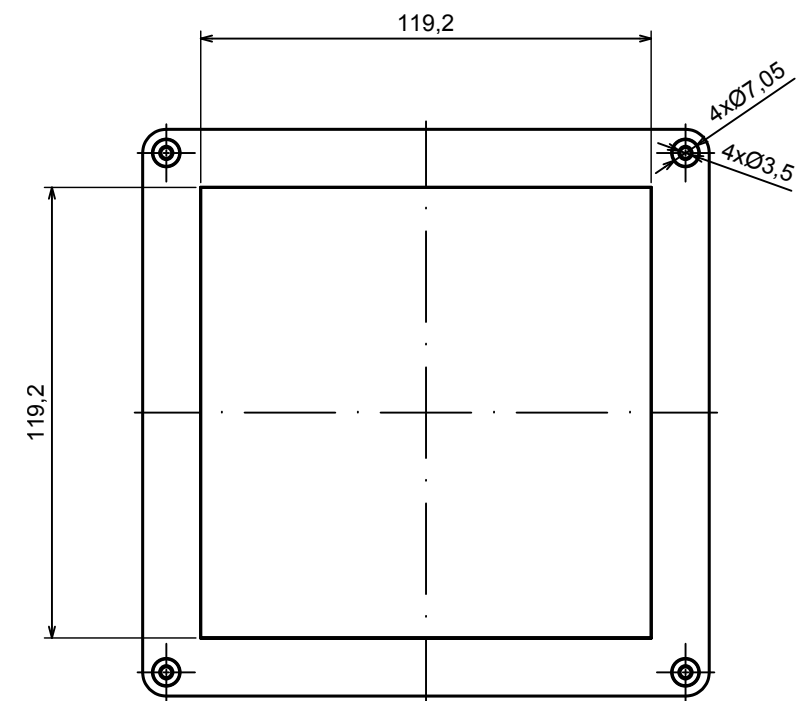
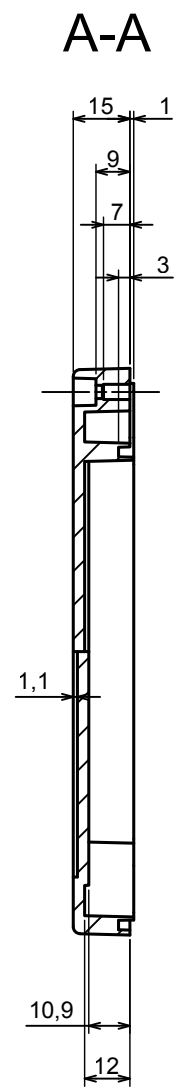
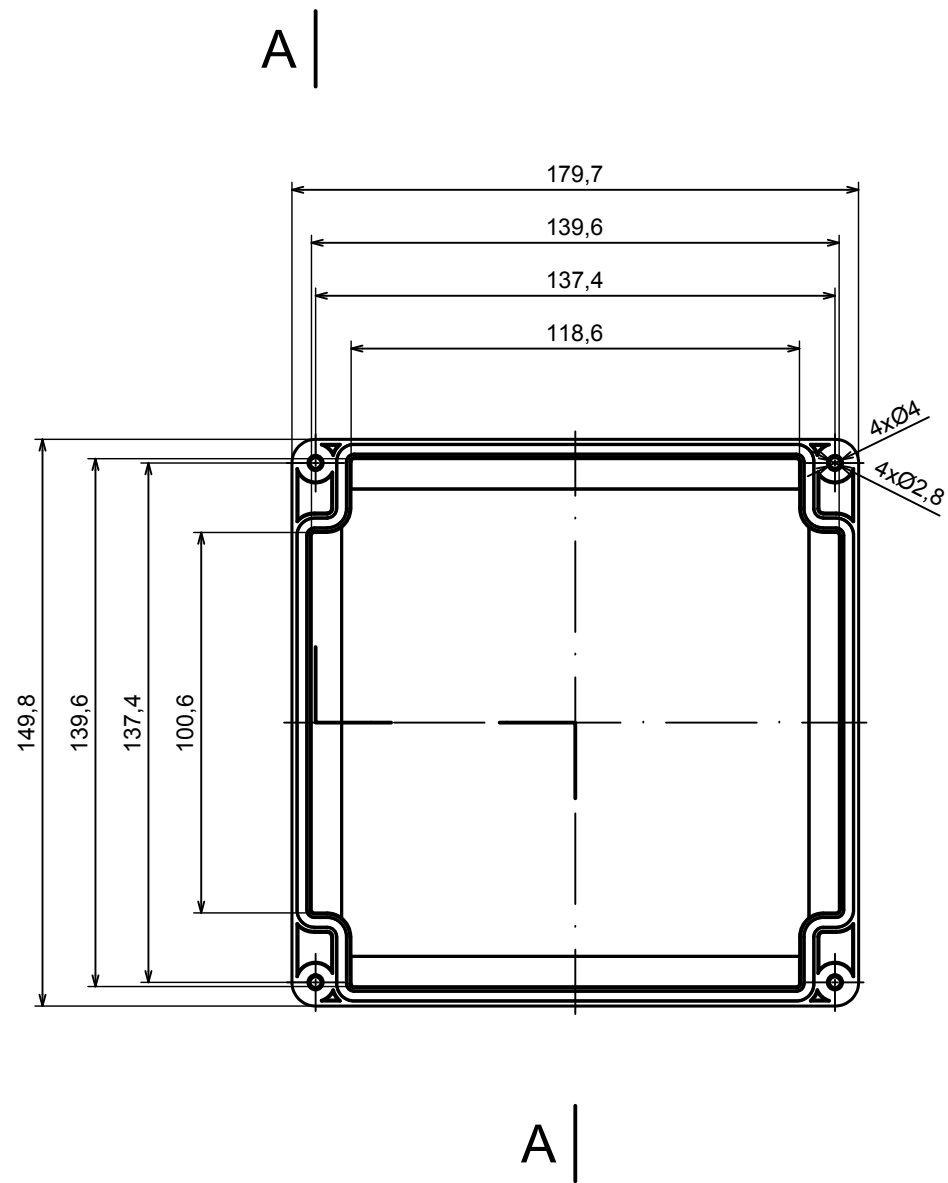


C (2:1)



A

All rights reserved, Copyright Kradex 2018		
Product model	Enclosure ZP150.150.60J TM - Base ZP150.150.45J TM	
Format: A3	Material: PC, ABS	
Scale 1:2	Tolerance: +/- 0.6	



All rights reserved, Copyright Kradex 2018

Product model Enclosure ZP150.150.60J TM - Cover ZP150.150.15J

Format: A3 Material: PC, ABS

Scale 1:2 Tolerance: +/- 0.6

