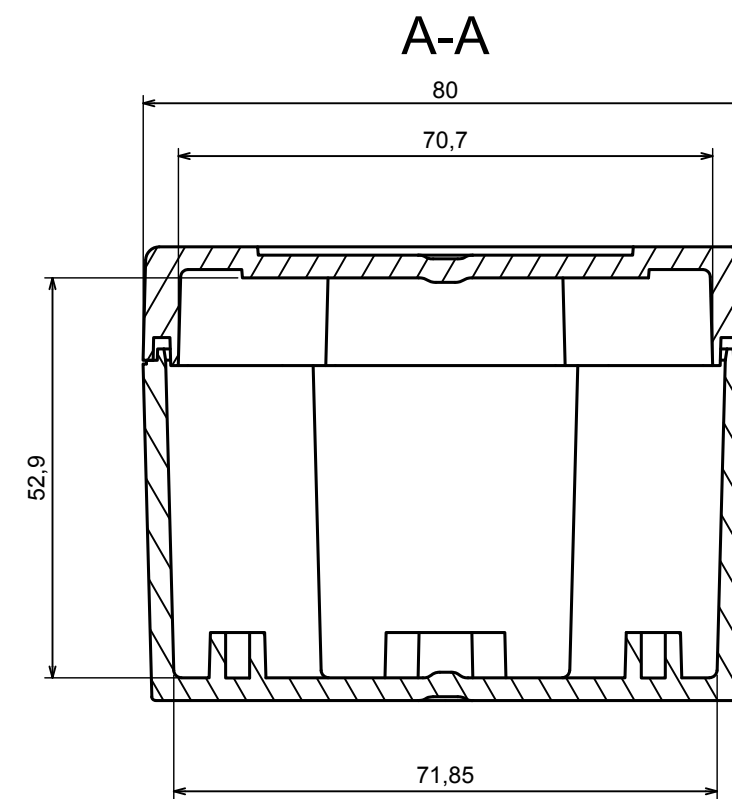
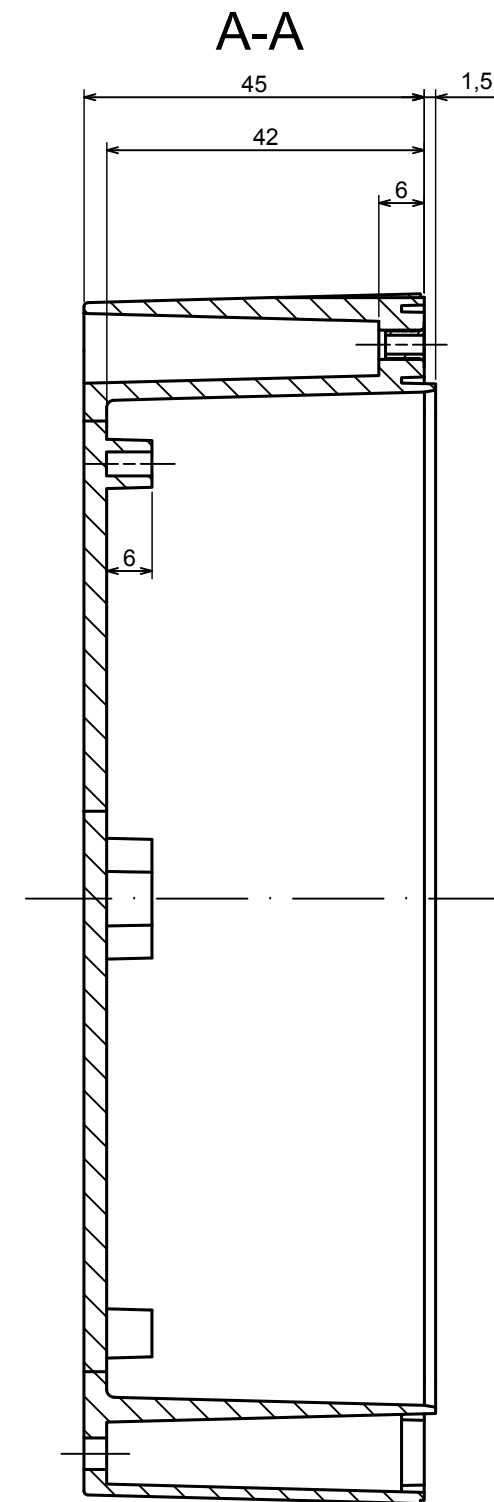
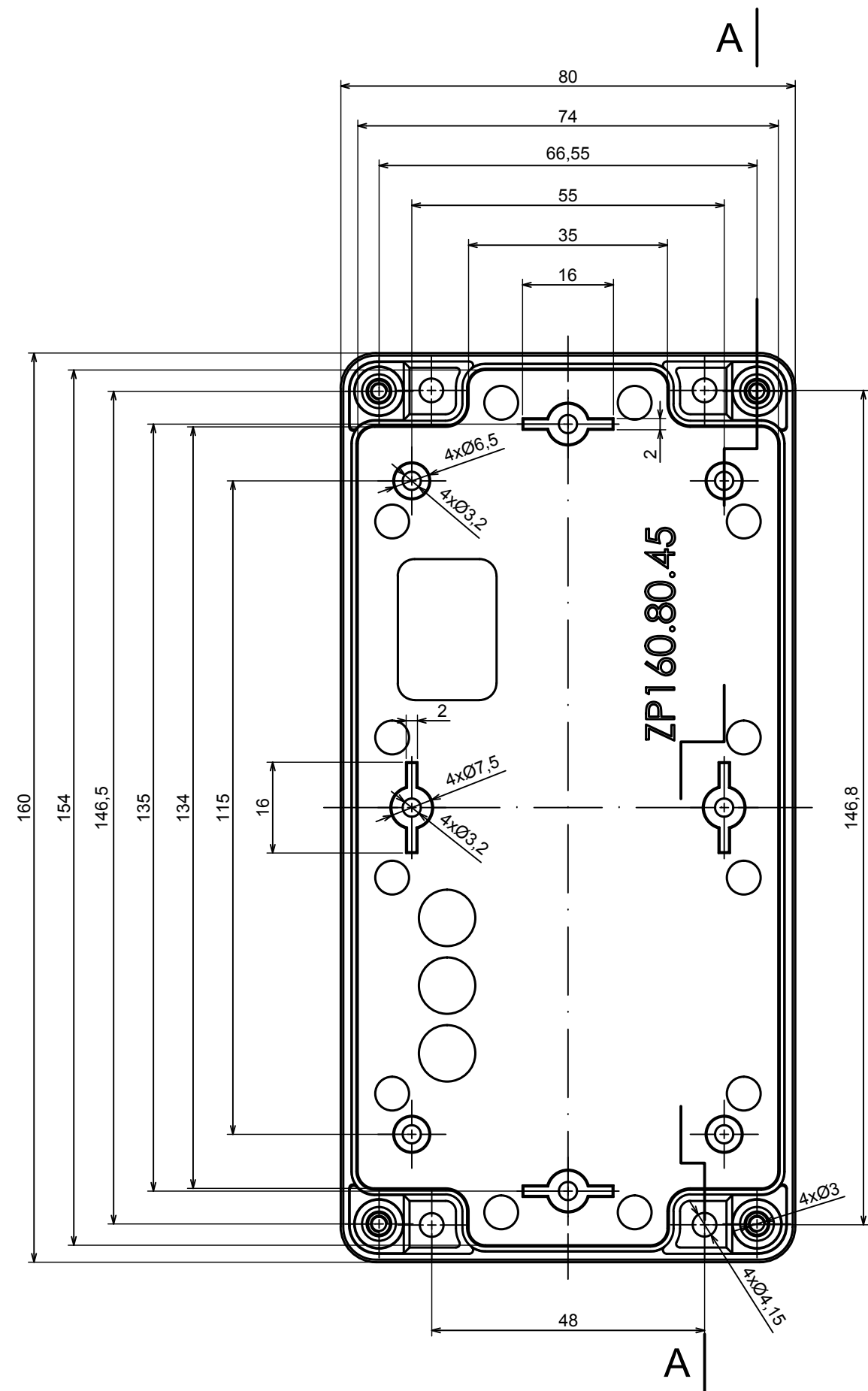


A |



| | |
|--|-------------------------------------|
| All rights reserved, Copyright Kradox 2021 | |
| Product model | Enclosure ZP160.80.60 TM - Assembly |
| Format: A3 | Material: PC, ABS |
| Scale 1:1 | Tolerance: +/- 0.5 |





All rights reserved, Copyright Kradox 2021

Product model Enclosure ZP160.80.60 TM - Base ZP160.80.45 TM

Format: A3 Material: PC, ABS

Scale 1:1 Tolerance: +/- 0.5



