

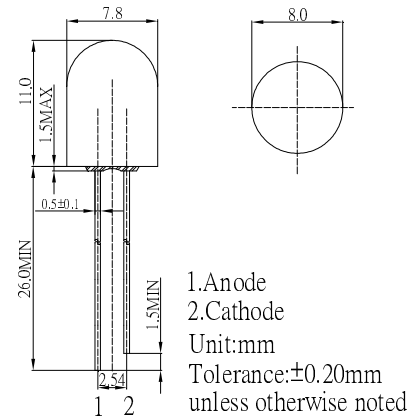
■ Features

- High Luminous LEDs
- 8mm Round Standard Directivity
- Superior Weather-resistance
- UV Resistant Epoxy
- Water Clear

■ Applications

- Electronic Signs And Signals
- Small Area Illuminations
- Back Lighting
- Other Lighting

■ Outline Dimension



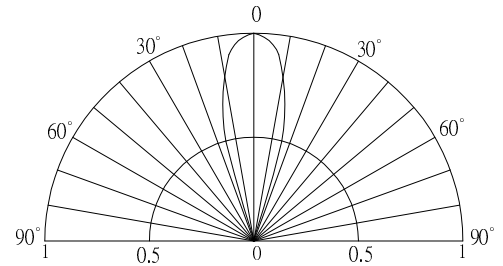
■ Absolute Maximum Rating

(Ta=25°C)

Item	Symbol	Value		Unit
		Y/O/R	W/M/B/PG	
DC Forward Current	I _F	50	30	mA
Pulse Forward Current*	I _{FP}	100	100	mA
Reverse Voltage	V _R	5	5	V
Power Dissipation	P _D	130	108	mW
Operating Temperature	T _{opr}	-30 ~ +85		°C
Storage Temperature	T _{stg}	-40 ~ +100		°C
Lead Soldering Temperature	T _{sol}	260°C/5sec		-

*Pulse width Max.10ms Duty ratio max 1/10

■ Directivity



■ Electrical -Optical Characteristics

(Ta=25°C)

Part Number	Color		V _F (V)			I _R (μA)	I _v (mcd)			Wd(nm)/CCT(K)*			2θ1/2(deg)
			Min.	Typ.	Max.	Max.	Min.	Typ.	Max.	Min.	Typ.	Max.	Typ.
			I _F =20mA			V _R =5V	I _F =20mA						
OSW4DK8B31B	White	W	2.8	3.1	3.6	10	18000	25000	-	CCT:5500-8500K			30
OSM5DK8B31B	Warm White	M	2.8	3.1	3.6	10	14400	18000	-	CCT:2700-3200K			30
OSB5SA8B31B	Blue	B	2.8	3.1	3.6	10	4200	5800	-	465	470	475	30
OSG5DA8B31B	Pure Green	PG	2.8	3.1	3.6	10	18000	20000	-	520	525	530	30
OSY5PA8B31B	Yellow	Y	1.8	2.1	2.6	10	8400	10000	-	585	590	595	30
OSO5PA8B31B	Orange	O	1.8	2.1	2.6	10	10000	12000	-	600	605	610	30
OSR5PA8B31B	Red	R	1.8	2.1	2.6	10	8400	10000	-	620	625	630	30

*1 Tolerance of measurements of dominant wavelength is ±1nm

*2 Tolerance of measurements of luminous intensity is ±15%

*3 Tolerance of measurements of forward voltage is ±0.1V