

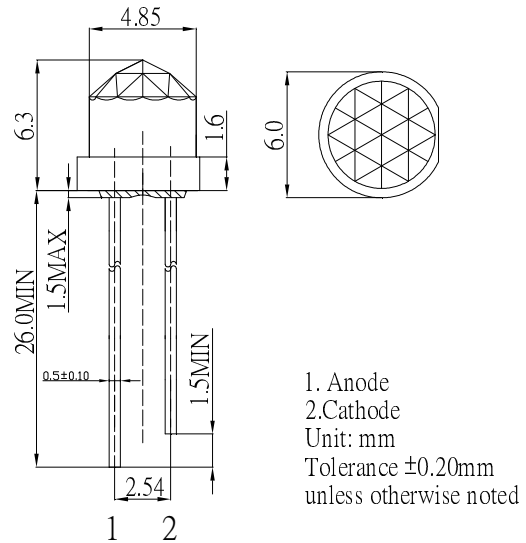
■ **Features**

- High Luminous LEDs
- 4.85mm Diamond Standard Directivity
- Full Color Flashing Type
- Water Clear Type

■ **Applications**

- Toys
- Games
- Audio
- Other Lighting

■ **Outline Dimension**

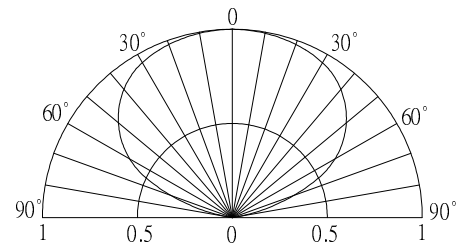


■ **Absolute Maximum Rating**

($T_a=25^\circ\text{C}$)

| Item | Symbol | Value | Unit |
|----------------------------|---------|----------------------------|------------------|
| Power Supply | Voltage | 5.0 | V |
| Operating Temperature | Topr | -30 ~ +85 | $^\circ\text{C}$ |
| Storage Temperature | Tstg | -40 ~ +100 | $^\circ\text{C}$ |
| Lead Soldering Temperature | Tsol | 260 $^\circ\text{C}$ /5sec | $^\circ\text{C}$ |

■ **Directivity**



■ **Electrical -Optical Characteristics**

($T_a=25^\circ\text{C}$)

| Item | Symbol | Conditio | Min. | Typ. | Max. | Unit |
|------------------------|------------------------|----------------------|------|------|------|---------------|
| DC Forward Voltage*1 | V _{dd} | I _F =20mA | 3.8 | 4.5 | 5.0 | V |
| Oscillator Frequency*2 | F _{led} | I _F =20mA | - | 33 | - | S |
| DC Reverse Current | I _R | V _R =5V | - | - | 10 | μA |
| Domi. Wavelength*3 | λ_D (Red) | I _F =20mA | 619 | 624 | 629 | nm |
| | λ_D (Blue) | I _F =20mA | 465 | 470 | 475 | nm |
| | λ_D (Green) | I _F =20mA | 520 | 525 | 530 | nm |
| Luminous Intensity*4 | I _v (Red) | I _F =20mA | 1560 | 2180 | - | mcd |
| | I _v (Blue) | I _F =20mA | 1120 | 1560 | - | mcd |
| | I _v (Green) | I _F =20mA | 2180 | 3000 | - | mcd |
| 50% Power Angle | $2\theta_{1/2}$ | I _F =20mA | - | 130 | - | deg |

*1 Tolerance of measurements of forward voltage is $\pm 0.1\text{V}$

*2 Tolerance of measurements of Frequency is $\pm 20\%$

*3 Tolerance of measurements of dominant wavelength is $\pm 1\text{nm}$

*4 Tolerance of measurements of luminous intensity is $\pm 15\%$