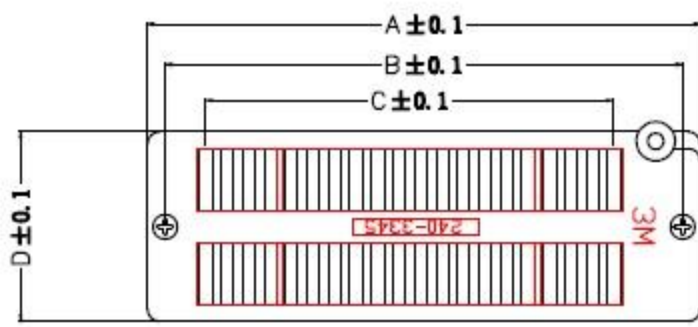
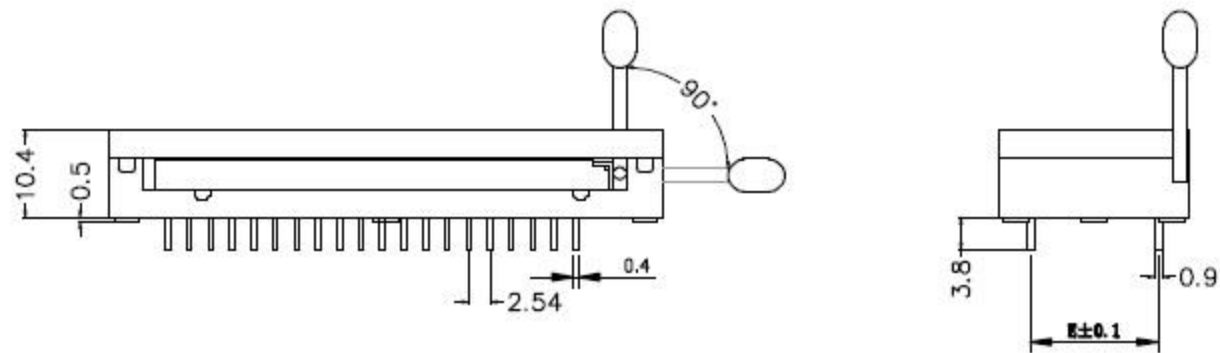


REV.	DESCRIPTION	DRAWN	CHECKED	APPROVED
A	NEW RELEASE	ZQJ 11/18/2014	~	ZQJ 11/18/2014
B		CJJ 11/18/2014	~	ZQJ 11/18/2014
C		CJJ 11/18/2014	~	



Position	A	B	C	D	E
14P	33.2	29.2	15.24	14.9	7.62
16P	35.2	31.2	17.78	14.9	7.62
20P	40.8	36.8	22.86	14.9	7.62
24P	45.2	41.2	27.94	22.6	15.24
28P	50.3	46.3	33.02	22.6	15.24
32P	55.3	51.3	38.1	22.6	15.24
40P	65.3	61.3	48.26	22.6	15.24
48P	75.7	71.7	58.42	22.6	15.24

**Material:**  
Housing: 30% Glass filled PBT UL94-0  
Contacts: Phosphor Bronze  
Plating: Gold plated: 3u" over 50u" nickl.  
Tin plated: 100u" over 50u" nickl.

**Electrical Characteristics:**  
Current Rating: 1 AMP.  
Insulator Resistance: 5000M $\Omega$  min, at DC 500V  
Contact Resistance: 20m $\Omega$  max, at DC 100mA  
Operating Temperature: -55° to +105°.

**Features:**  
For DIPs with 100° lead spacing  
Lever actuated zero insertion force mechanism  
Socket easily disassembles for repairability.  
Socket contact point of .110" below top surface of socket.

GENERAL TOLERANCE		ANGLE TOLERANCE		PROJECTION		TITLE	<b>2.54MM ZIF SOCKET MATED BY 7.62/15.24MM PLUG</b>	
X.	±0.60	X.	±5°	UNITS	mm			
.X	±0.38	.X	±3°	SHEET SIZE	A4	SERIES		LL1002-1A
.XX	±0.25	.XX	±2°					
DRAWING TYPE		CUSTOMER						
SCALE		1:1	SHEET	1 OF 1				
DRAWING NO.								