

6 mm carbon trimmer potentiometer PT6



Mechanical specifications

| | | |
|---------------------------|------------|-------------------------------------|
| Mechanical rotation angle | | $235^\circ \pm 5^\circ$ |
| Electrical rotation angle | | $200^\circ \pm 20^\circ$ |
| Torque | Rotational | 0.2 to 2 Ncm . (0.3 to 2.7 in - oz) |
| | Stop | > 4 Ncm. (>5.6 in-oz) |
| Life* | | Up to 10K cycles |

Electrical specifications

| | | |
|---|------------------------------------|---|
| Range of values * | | $220\Omega \leq R_n \leq 5M\Omega$ (Decad. 1.0 - 2.0 - 2.2 - 2.5 - 4.7 - 5.0) |
| Tolerance * | $220\Omega \leq R_n \leq 1M\Omega$ | $\pm 20\%$ |
| | $1M\Omega \leq R_n \leq 5M\Omega$ | $\pm 30\%$ |
| Max. voltage | | 100 VDC (lin) 50 VDC (no lin) |
| Nominal power 50°C (122°F) (see power rating curve) | | 0.1 W (lin) 0.05 W (no lin) |
| Taper * | | Lin; Log; Alog (Log. & Alog. only $R_n > 1K$) |
| Residual resistance* | | $\leq 0.5\% R_n$ (5Ω min.) |
| Equivalent noise resistance | | $\leq 3\% R_n$ (3Ω min.) |
| Operating temperature ** | | -25°C to +70°C (-13°F to + 158°F) |

* Others: check availability.

** Up to 85°C depending on application.

Main features

- Carbon resistive element.
- IP54 protection according to IEC 60529.
- Polyester substrate.
- SMD version available (see PS-6 datasheet).
- Wiper positioned at initial, 50% or fully clockwise.
- Also upon request:
 - Supplied in magazines for automatic insertion.
 - Long life model (10K cycles).
 - Housing available in self extinguishable plastic (UL94V0).
 - Mechanical detents.

Description

The PT-6 potentiometer offers control where frequent adjustment is required. The shaftless design allows for employment of different engagement mechanisms, such as a customized shaft, a motor control or a human interface adjustment.

This potentiometer can also control variable outputs including frequency, change in motor speed or volume.

Typical applications include test and measurement equipment, consumer electronics, appliances, timer relays, robotics, motion controllers, home and building automation and medical equipment control panels.

This datasheet shows you the basics of the PT-6 potentiometer that is quite versatile and easy to tailor. Do not hesitate to contact Piher for advice.

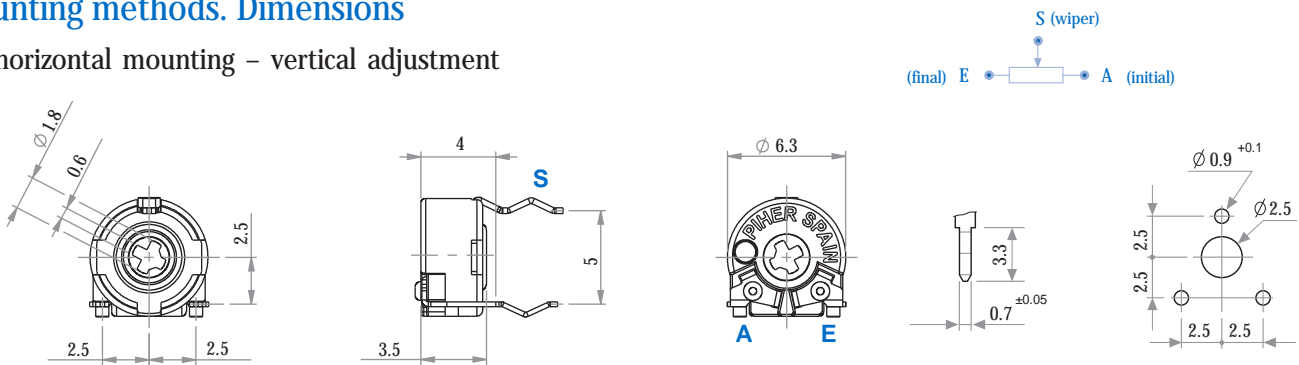
6 mm carbon trimmer potentiometer PT6

Rotors

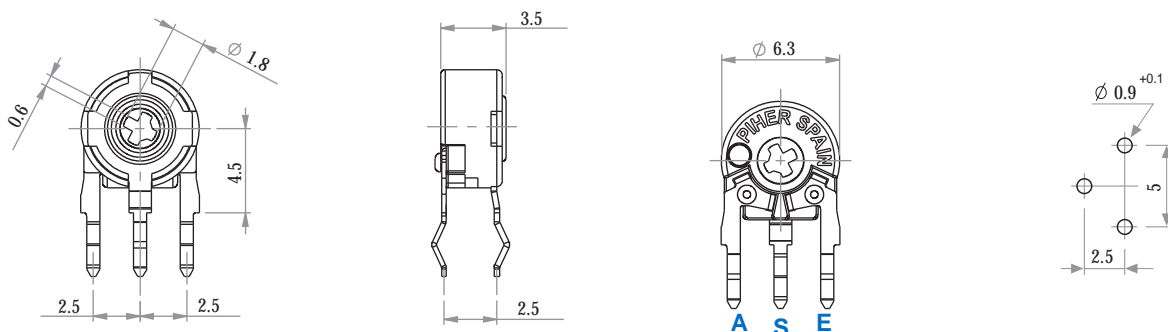


Mounting methods. Dimensions

V = horizontal mounting – vertical adjustment



H = vertical mounting – horizontal adjustment



6 mm carbon trimmer potentiometer PT6

Crimped terminals (detail A)



This is the default terminals type.

Not-crimped terminals dimensions



Please indicate "SC" at the end of the part number for this version.



Download the STEP file here:
<https://piher.net/piher/?p=894>

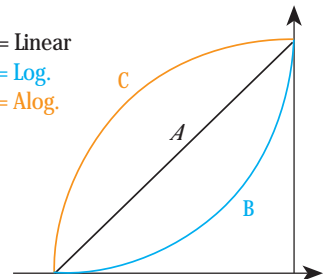
SMD versions

SMD / SMT version available. See [PS-6](#) and [N-6](#) datasheets at: www.piher.net

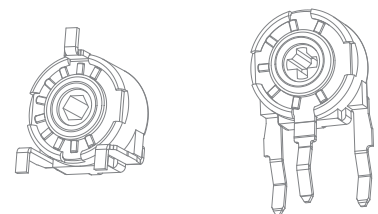
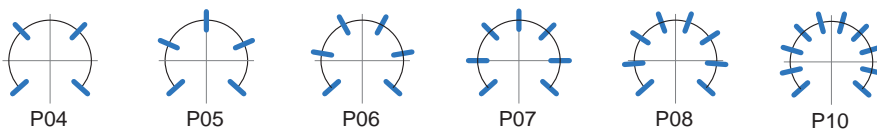


Standard Tapers

A = Linear
B = Log.
C = Alog.



Detents / Stop positions



— Relative detent positions along the total mechanical travel.

NOTES FOR DETENTED VERSIONS

- All detented versions will be studied case by case. Contact Piher for leadtimes and availability.
- Others: check availability. Unless otherwise specified the detents are evenly spaced (using the end points as reference).
For more than 10 detents versions please contact Piher for more information.
- Standard mechanical life: 100 cycles.
- Long life versions are available under request. Contact Piher for more information.
- Detent torque can vary from 1.2 to 2.5 times the standard potentiometer torque.
- The colour of the rotor will be **violet**.

6 mm carbon trimmer potentiometer PT6

Knobs/Shfts

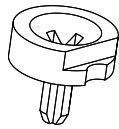
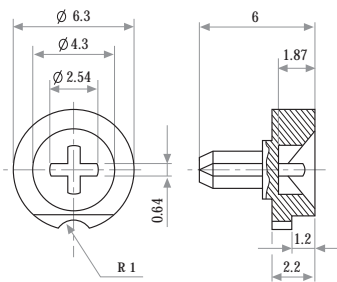
By default shafts, knobs & thumbwheels are delivered unassembled.

Mounted shafts, knobs & thumbwheels are delivered at random position. Custom positioning available.

If you wish to use your own plastic shaft/knob/actuator please contact Piher for advice about compatible materials.

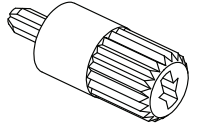
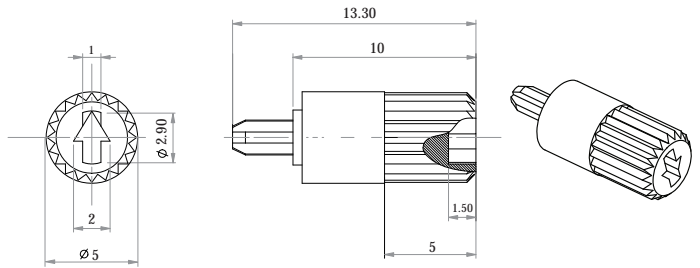
Ref.: 5155 / Fig. 1

Default knob. Standard colour: white.



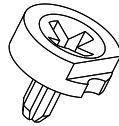
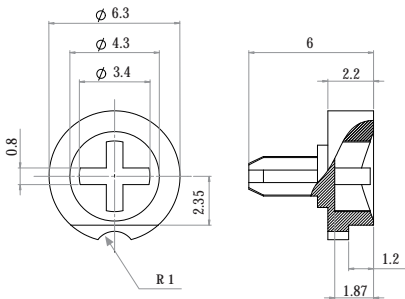
Ref.: 6132 / Fig. 2

Shaft. Not suitable for magazine packaging



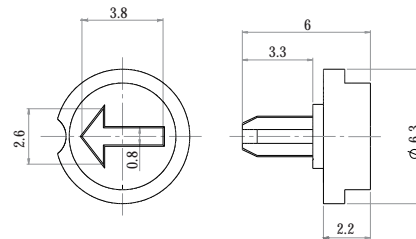
Ref.: 5141 / Fig. 3

Colour: grey. For other colours check availability.

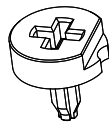
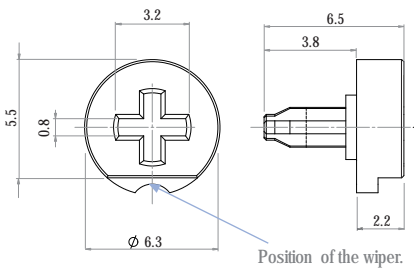


Ref.: 6172 / Fig. 4

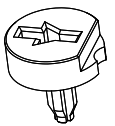
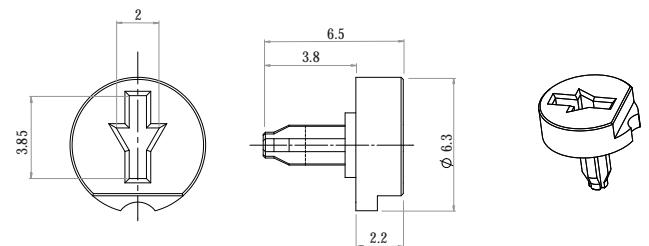
Colour: grey. For other colours check availability.



Ref.: 6148 / Fig. 5

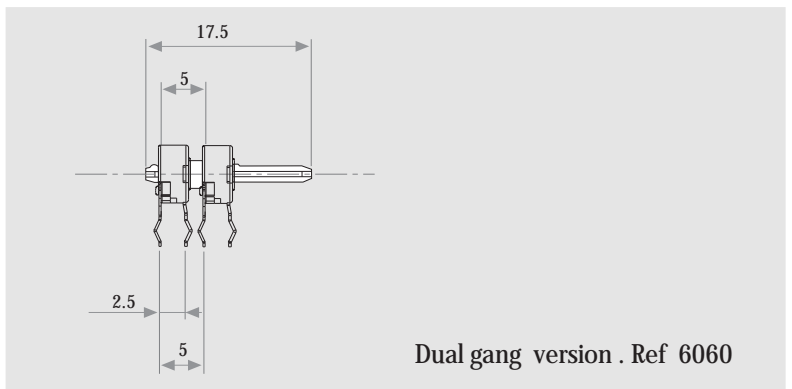
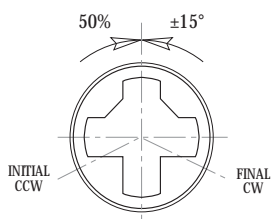


Ref.: 6160 / Fig. 6



Positioning

Default position = CCW



Dual gang version . Ref 6060

6 mm carbon trimmer potentiometer PT6

Packaging

BOXES / BULK

| Model | Units per box |
|-------|---------------|
| All | 1.000 |



AUTOMATIC INSERTION

| Magazines | Units per magazine |
|------------------|--------------------|
| PT-6 V & PT-6 WV | 80 Pieces |

Magazines for PT-6 V with or without crimping.



Tests

| Test | Conditions | Typical variations |
|----------------------------------|-----------------------------|----------------------|
| Electrical life | 1.000 h. @ 50° C; 0.25 W | ±5 % |
| Mechanical life (cycles) | 1000 @ 10 CPM ...15 CPM | ±3 % (Rn < 1 M) |
| Temperature coefficient | -25° C; +70° C | ±300 ppm (Rn <100 K) |
| Thermal cycling | 16 h. @ 85° C; 2h. @ -25° C | ±2.5 % |
| Damp heat | 500 h. @ 40° C @ 95% HR | ±5 % |
| Vibration (for each plane,X,Y,Z) | 2 h. @ 10 Hz. ... 55 Hz. | ±2 % |

Out of range values may not comply these results

Disclaimer

The product information in this catalogue is for reference purposes. Please contact Piher for the most up to date and accurate design information.

Piher Sensors & Controls S.A., its affiliates, agents, and employees, and all persons acting on its or their behalf (collectively, "Piher"), disclaim any and all liability for any errors, inaccuracies or incompleteness contained herein or in any other disclosure relating to any product described herein.

Piher disclaims any and all liability arising out of the use or application of any product described herein or of any information provided herein to the maximum extent permitted by law. The product specifications do not expand or otherwise modify Piher's terms and conditions of sale, including but not limited to the warranty expressed therein, which apply to these products.

No licence, express or implied, by estoppel or otherwise, to any intellectual property rights is granted by this document or by any conduct of Piher.

The products shown herein are not designed for use in medical, life-saving, or life-sustaining applications unless otherwise expressly indicated. Customers using or selling Piher products not expressly indicated for use in such applications do so entirely at their own risk and agree to fully indemnify Piher for any damages arising or resulting from such use or sale. Please contact authorised Piher personnel to obtain written terms and conditions regarding products designed for such applications.

Product names and markings noted herein may be trademarks of their respective owners.

Information contained in and/or attached to this catalogue may be subject to export control regulations of the European Community, USA, or other countries. Each recipient of this document is responsible to ensure that usage and/or transfer of any information contained in this document complies with all relevant export control regulations. If you are in any doubt about the export control restrictions that apply to this information, please contact the sender immediately. For any Piher Exports, Note: All products / technologies are EAR99 Classified commodities. Exports from the United States are in accordance with the Export Administration Regulations. Diversion contrary to US law is prohibited.

Piher is an Amphenol™ company.

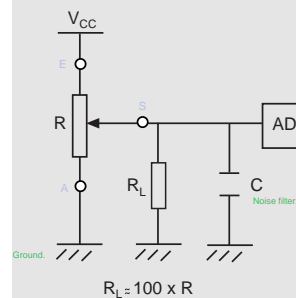


All Piher products can be adapted to meet customer's requirements.

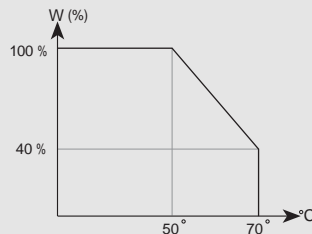
Please always use the latest updated datasheets and 3D models published at our website www.piher.net.

Recommended connections

Piher potentiometer's recommended connection circuit for a position sensor or control application. (voltage divider circuit electronic design)



Power rating curve



Contact

Piher Sensing Systems
Poligono Industrial Municipal
Vial T2 N°22
31500 Tudela - Spain
Tel: +34-948-820450

sales@piher.net

www.piher.net

rev141020

