

Small micro switch series

◆ Action sensitive subminiature switch

- Mini-type, big current. Characteristic: small contact gap, quick action, high sensitivity and small operating
- Long life
- A variety of contact terminals
- A variety of levers
- Widely used in home appliance, audio video video device, computer, office automation equipment, communication equipment, etc.

◆ Specifications


| Item | | Value |
|-----------------------|------------------------------------------------------------------------------------------------------------------------|---------------------------------------------------------------------------------------------------------------------------------------------------------------------------------------------|
| Operating speed | | 1mm~500m/s (Related with actuator forms) |
| Operating frequency | | Mechanical 60 cycles/min; Electrical 25 cycles/min; |
| Insulation resistance | | $\geq 100M\Omega$ (500VDC) |
| Contact resistance | | 0.75N: $\leq 30M\Omega$ $\leq 0.75N$: $\leq 50M\Omega$ OF > 0.75N: $\leq 30M\Omega$ (see note) OF $\leq 0.75N$: $\leq 50M\Omega$ (see note) KW10-D、E、F $\leq 100M\Omega$ (见注) |
| Test voltage | Between terminals of the same polarity | AC600V, 50/60Hz, 1min |
| | Between current-carrying metal parts and ground(case), and between each terminal and non-current-carrying metal parts. | AC1000V, 50/60Hz, 1min |
| Vibration resistance | | 10~55Hz, 1.5mm Double amplitude |
| Shock resistance | | 300m/s ² (30G) max Malfunction: 300m/s ² (approx. 30G) max |
| Life | | $\geq 1,000,000$; Mechanical $\geq 1,000,000$ cycles $\geq 10,000$; Electrical $\geq 10,000$ cycles |

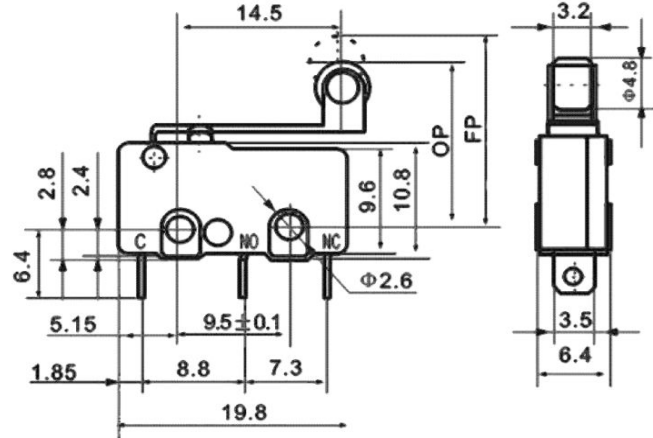
Datasheet

| | | | |
|------------------------|--------------------------|---------------------------|--------------------|
| Housing: | Nylon 66 | Lever: | Roller lever |
| Terminal | Brass with sliver plated | House color: | Green or Black |
| Contact Configuration: | SPDT | Switch Operation: | OFF – momentary ON |
| Rating: | 5A 250VAC/10A 125VAC | Operating Temperature: | -25°C~+85°C |
| Contact Resistance: | ≤30mΩ | Ambient Temperature Used: | <85% RH |
| Insulation Resistance: | ≥100mΩ (500VDC) | Electrical Life: | ≥ 10,000 Cycles |
| Dielectric strength: | 1500VAC 1 minute | Mechanical Life: | ≥ 100,000 Cycles |
| Certification: | CE,ROHS | OEM or ODM: | Available |

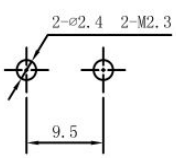
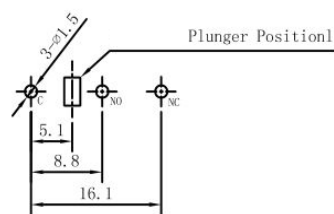
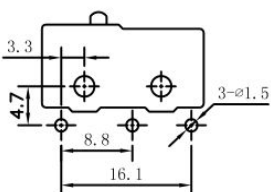
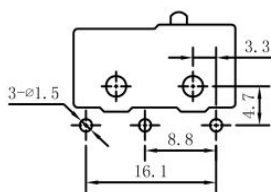
Dimensions and operating characteristics

PRZ MSW15

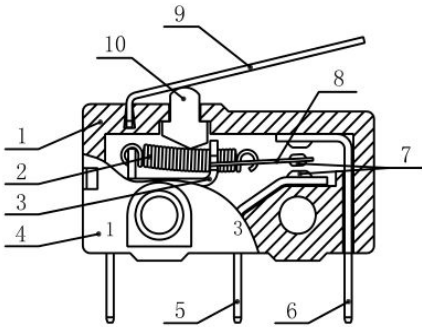




◆ Mounting hole dimensions

| | PCB terminal | Left side PCB terminal | Right side PCB terminal |
|------------------------------------------------------------------------------------|-------------------------------------------------------------------------------------|--------------------------------------------------------------------------------------|---------------------------------------------------------------------------------------|
|  |  |  |  |

◆ Internal configuration drawing



- 1: Case
- 2: Pull spring
- 3: Support
- 4: Cover
- 5: NO terminal
- 6: NC terminal
- 7: Contact
- 8: Moving piece
- 9: Plunger
- 10: Lever