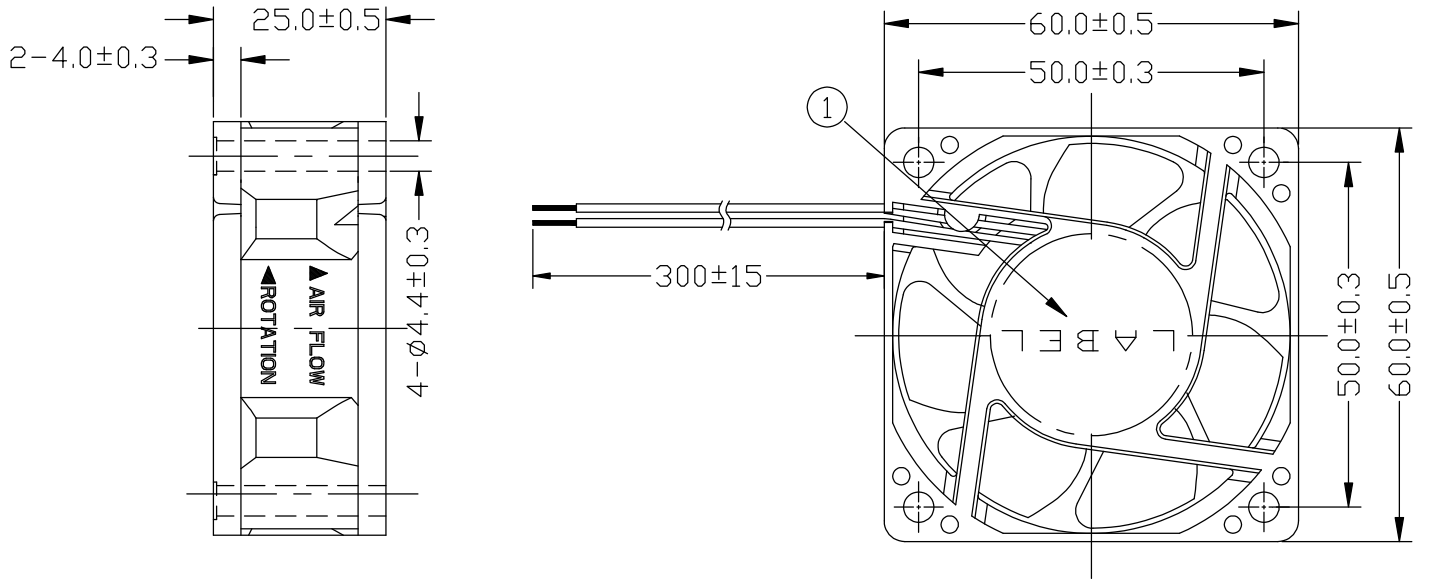


10. Dimension Drawing

Unit: mm



Lead Wire :UL1007 , 24AWG; Red Positive(+); Black Negative(-).

No.	Qty	Part Name	Description
①	1	Label	