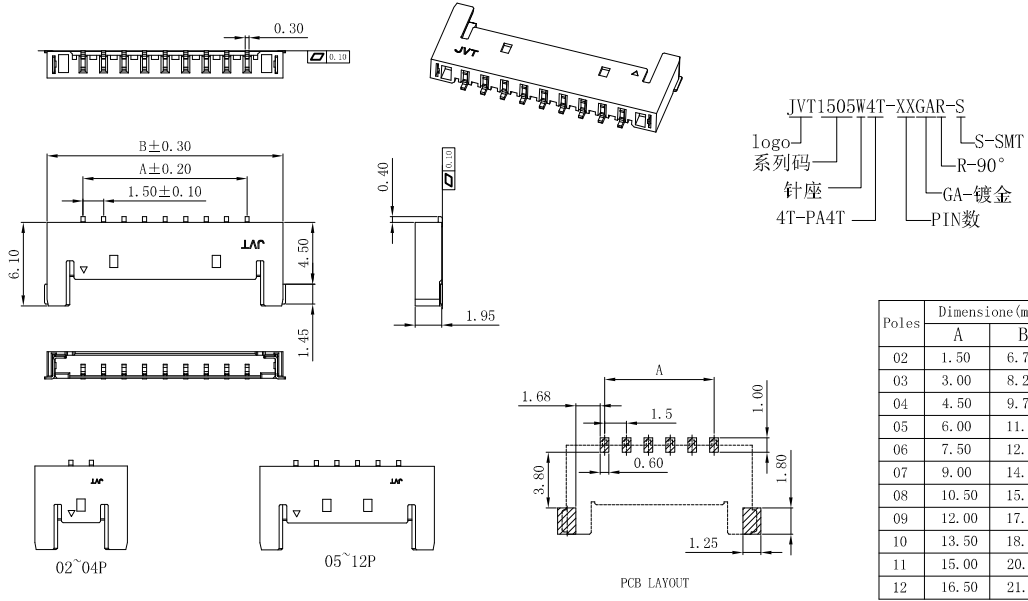


JVT1505W

1.5mm Pitch 90°Wafer-SMT TYPE



Poles	Dimensione (mm)	
	A	B
02	1.50	6.75
03	3.00	8.25
04	4.50	9.75
05	6.00	11.25
06	7.50	12.75
07	9.00	14.25
08	10.50	15.75
09	12.00	17.25
10	13.50	18.75
11	15.00	20.25
12	16.50	21.75

JVT1505W4T-XXGAR-S	PA4T UL94V-0	Phos Bronze	Gold Plated	Brass	JVT1505 Housing
PART NO	Material	Material(Pin)	Finish(Pin)	Material (Solder Tabs)	Mates With Part(s)