

3-Terminal 100mA Positive Voltage Regulator

❖ GENERAL DESCRIPTION

The AX78L05 of positive voltage Regulator is inexpensive, easy-to-use devices suitable for a multitude of applications that require a regulated supply of up to 100mA. Like their higher power AX78L05, this regulator feature internal current limiting and thermal shutdown making them remarkably rugged. No external components are required with the AX78L05 device in many applications.

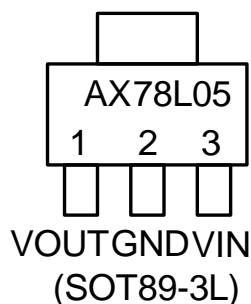
The device offer a substantial performance advantage over the traditional zener diode-resistor combination, as output impedance and quiescent current are substantially reduced.

❖ FEATURES

- Output Voltage Range 3.3 to 24V
- Output current up to 100mA
- No external components required
- Internal thermal overload protection
- Internal short-circuit current limiting
- Output transistor safe-area compensation
- Output voltage offered in 4% tolerance
- RoHS and Halogen free compliance

❖ PIN ASSIGNMENT

The package of AX78L05 is SOT89-3L; the pin assignment is given by:



❖ ORDER/MARKING INFORMATION

Order Information	Top Marking
<p style="text-align: center;">AX78L05 X X</p> <p style="text-align: center;"> </p>	<p>GPI05 → Output Voltage YWX → ID code: internal ├── WW: 01~26(A~Z) └── 27~52(a~z) └── Year: 8=2018 9=2019 B=2020 C=2021 D=2022 : Z=2044</p>

❖ ABSOLUTE MAXIMUM RATINGS (T_A = 25°C unless otherwise noted)

Characteristics	Symbol	Rating	Unit
DC Input Voltage	V _{IN}	35	V
Power Dissipation (multi-layer PCB copper area 5mm*5mm) T _A =25°C, T _J =125°C, SOT89	P _D	625	mW
Operating Junction Temperature	T _J	-40 ~ +125	°C
Storage Temperature Range	T _{STG}	-65 ~ + 150	°C

❖ **ELECTRICAL CHARACTERISTICS**

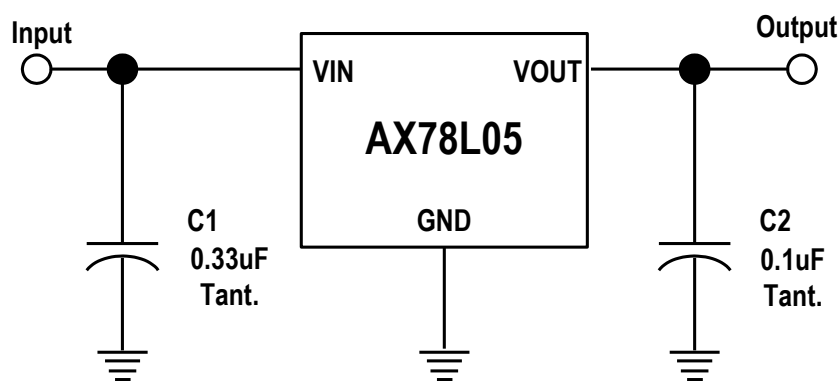
($V_{IN} = 10V$, $I_{OUT} = 40mA$, $0^{\circ}C \leq T_J \leq 125^{\circ}C$, $C_{IN} = 0.33\mu F$, $C_{OUT} = 0.1\mu F$; unless otherwise specified.)

Characteristics	Symbol	Conditions	Min	Typ	Max	Units
Output voltage	V_{OUT}	$T_J = 25^{\circ}C$	4.80	5	5.20	V
		$7.5V \leq V_{IN} \leq 20V$, $5mA \leq I_{OUT} \leq 100mA$	4.75	5	5.25	
Line Regulation	REGline	$T_J = 25^{\circ}C$ $7.5V \leq V_{IN} \leq 20V$ $I_{OUT} = 100mA$	-	50	150	mV
Load Regulation	REGload	$T_J = 25^{\circ}C$ $5mA \leq I_{OUT} \leq 100mA$ $5mA \leq I_{OUT} \leq 40mA$	-	20 10	60 30	
Quiescent Current	I_q	$I_{OUT} = 0$, $T_J = 25^{\circ}C$	-	3	6	mA
Quiescent Current Change	ΔI_q	$7.5V \leq V_{IN} \leq 20V$ $5mA \leq I_{OUT} \leq 40mA$	-	-	1.5 0.1	
Output Noise Voltage	V_n	$10Hz \leq f \leq 100KHz$, $T_J = 25^{\circ}C$	-	40	-	μV
Ripple Rejection Ratio	P_{SRR}	$f = 120Hz$, $7.5V \leq V_{IN} \leq 20V$	41	49	-	dB
Voltage Drop	V_{drop}	$I_{OUT} = 100mA$, $T_J = 25^{\circ}C$	-	1.7	-	V
Peak Output Current	$I_o \text{ peak}$	$T_J = 25^{\circ}C$	-	0.15	-	A
Temperature Coefficient of Output Voltage	$\Delta V_{OUT} / \Delta T_J$	$I_{OUT} = 5mA$, $0^{\circ}C \leq T_J \leq 125^{\circ}C$	-	-0.65	-	$mV/^{\circ}C$

Note1: Pulse testing techniques are used to maintain the junction temperature as close to the ambient temperature as possible and thermal effects must be taken into account separately.

Note2: This specification applies only for DC power dissipation permitted by absolute maximum ratings.

❖ **APPLICATION CIRCUIT**



❖ APPLICATION INFORMATION

Design Considerations

The AX78L05 of fixed voltage regulator is designed with Thermal Overload Protection that shuts down the circuit when subjected to an excessive power overload condition. Internal Short Circuit protection limits the maximum current the circuit will pass.

In many low current applications, compensation capacitors are not required. However, it is recommended that the regulator input be bypassed with a capacitor if the regulator is connected to the power supply filter with long wire lengths, or if the output load capacitance is large. The input bypass capacitor should be selected to provide good high-frequency characteristics to insure stable operation under all load conditions. A 0.33uF or larger tantalum, Mylar, or other capacitor having low internal impedance at high frequencies should be chosen. The bypass capacitor should be mounted with the shortest possible leads directly across the regulators input terminals. Good construction techniques should be used to minimize ground loops and lead resistance drops since the regulator has no external sense lead. Bypassing the output is also recommended.

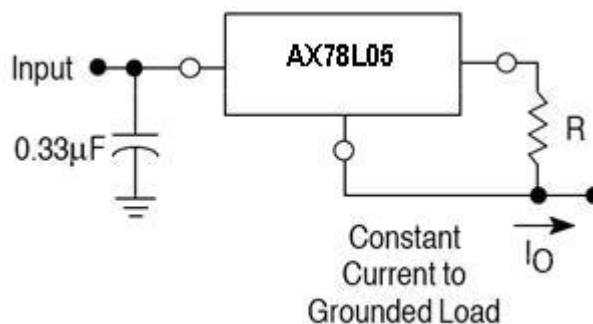


FIGURE 1 – Current Regulator

The AX78L05 regulator can also be used as a current source when connected as above. In order to minimize dissipation the AX78L05 is chosen in this application. Resistor R determines the current as follows:

$$I_O = \frac{5.0V}{R} + I_B$$

$I_B=3.8\text{mA}$ over lined and load changes

For example, a 100mA current source would require R to be a 50Ω, 1/2W resistor and the output voltage compliance would be the input voltage less 7V.

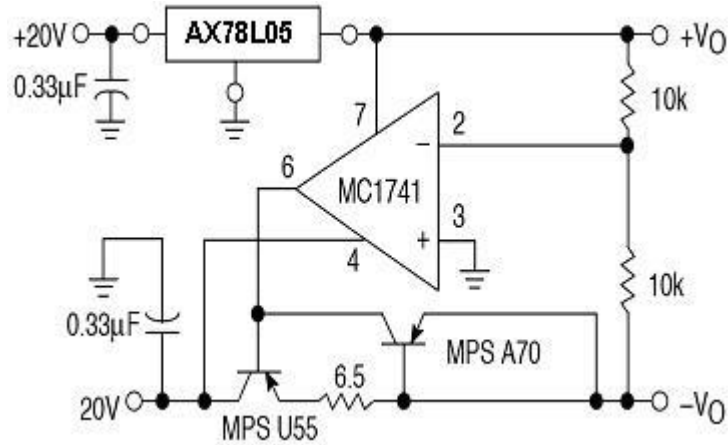
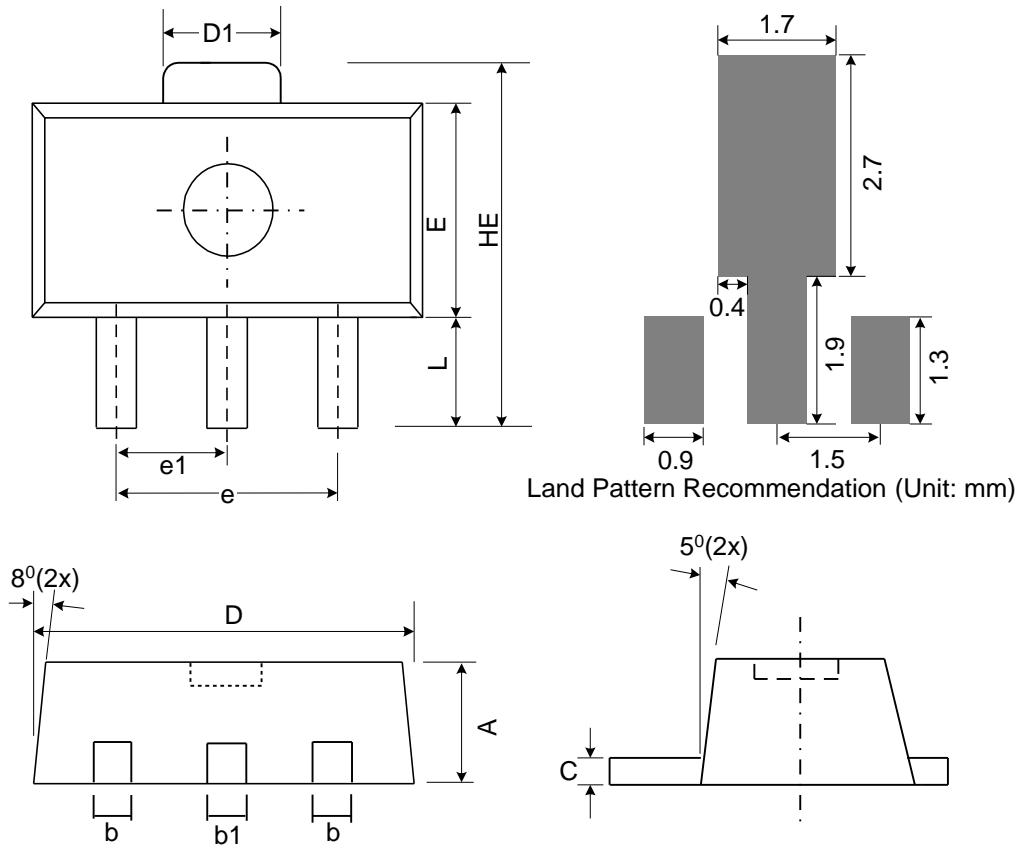


FIGURE 2 – ±15V Tracking Voltage Regulator

❖ PACKAGE OUTLINES


Symbol	Dimensions in Millimeters			Dimensions in Inches		
	Min.	Nom.	Max.	Min.	Nom.	Max.
A	1.40	1.50	1.60	0.055	0.059	0.063
b	0.36	0.42	0.48	0.014	0.017	0.019
b1	0.44	0.50	0.56	0.017	0.02	0.022
C	0.35	0.40	0.44	0.014	0.016	0.017
D	4.40	4.50	4.60	0.173	0.177	0.181
D1	1.35	1.59	1.83	0.053	0.063	0.072
e	3.0 BSC			0.118 BSC		
e1	1.5 BSC			0.059 BSC		
E	2.29	2.45	2.60	0.09	0.097	0.102
HE	3.94	4.10	4.25	0.155	0.161	0.167
L	0.80	1.00	1.20	0.031	0.04	0.047

JEDEC outline: TO-243 AB