

Ya-cool™

SPECIFICATIONS

FOR APPROVAL

Model: 12038B2HL

AC220V 50/60Hz 0.13/0.10A

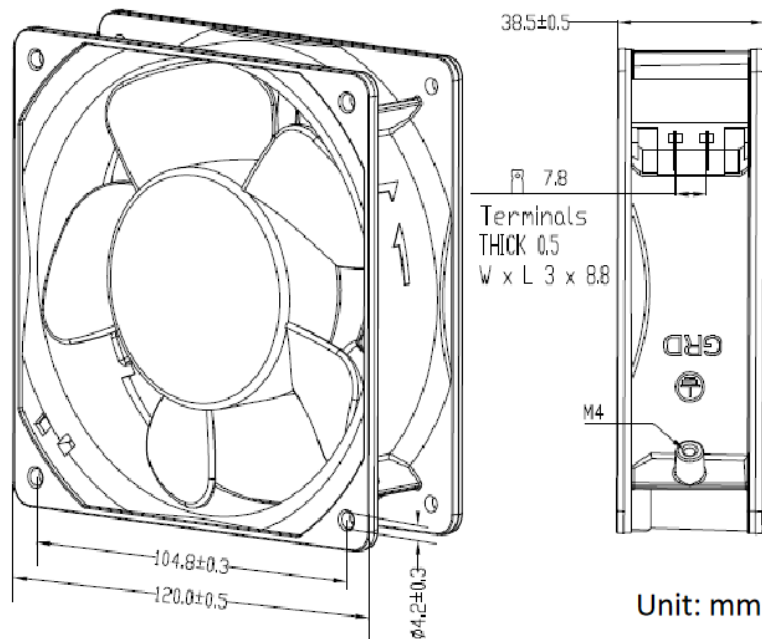


SPECIFICATION

<u>Item</u>	<u>Specification/Condition</u>
Dimension	: 120x120x38 mm
Bearing System	: BALL BEARING
Rated Voltage	: 220 VAC
Operating Voltage	: 200 VAC—240 VAC
Start-up Voltage	: 160 VAC NORMALLY
Rated Current	: 0.13/0.10 Amp NORMALLY
Rated Speed	: 2700/3100 RPM±10%
Air Flow	: 90/103 CFM
Static Air Pressure	: 8/8.2 mmH ₂ O
Noise Level	: 45/48dBA
Motor Protection Type	: BY IMPEDANCE
Life Expectance	: 50000 Hours at Room Temperature
Operation Temperature	: -20°C to +70°C
Net Weight	: 530 Grams

MATERIAL

Frame: Aluminum alloy
Impeller: PBT Plastic
Protected: Impedance protected
Connection: Lead Wire or Terminals
Ball Bearing: -20°C to +70°C
Sleeve Bearing: -10°C to +70°C



Performance Curve

