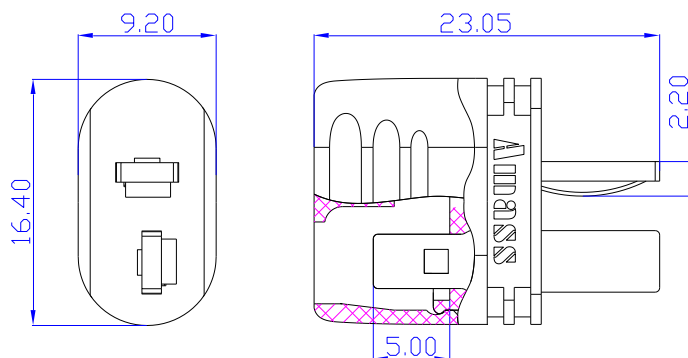


AMASS

(Item No): AM-1015E-M

(Drawing)



■ (Material & Parameter)

Item No.	AM-1015E-M	CR	0.45mΩ
COLOR			DC 500V
Metal Material	Brass Gold Plated	RC	25A
Plastic Material	PA	MC	50A
FR LEVEL	UL94 V0	USE TIMES	1000 TIMES
Recommend USE	CONTROLLER	Cable SPEC.	12AWG
CERTIFICATION	---	TEMPERATURE	-20°C to 120°C

★ (Data sheet will change according with the test background)