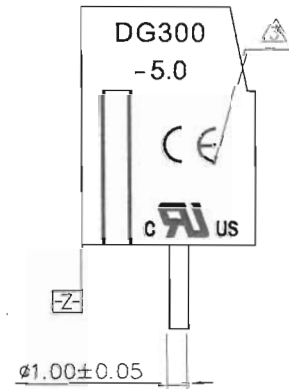
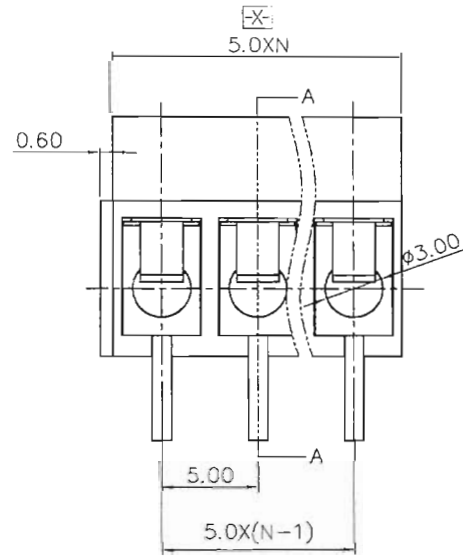
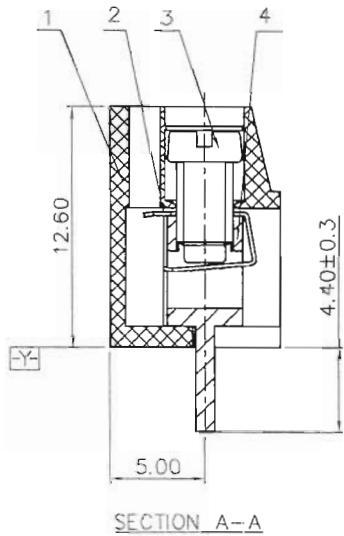
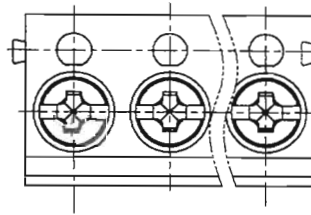


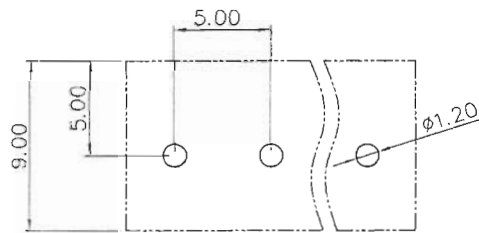
- NOTES:
 1. DIMENSION SHALL BE INTERPRETED PER ASME Y14.5-2009.
 2. PITCH: 5.0MM, POLES: N=02-24P
 3. RATED VOLTAGE/CURRENT: UL 300V/10A IEC 250V/24A
 4. OPERATION TEMPERATURES: -30°C~+120°C
 5. WITHSTANDING VOLTAGE: AC2000V/1MIN
 6. INSULATION RESISTANCE: 5000MΩ/DC1000V
 7. WIRE RANGE: 22~14AWG, 2.5MM²
 8. MAX. TORQUE VALUE: M3.0, 3.0kgf.cm
 9. UNDIMENSIONED TOLERANCES:

REVISION RECORD				
REV	ECN	DESCRIPTION	DRFT	DATE
△1		增加VDE、CE标志	LJH	12/24/07
△2	12-0269	Drawing Revise	YHG	12/27/12
△3	14-0291	更新图框, 增加“CE”标志	yangon	08/28/14

PITCH RANGE IN MM		NOMINAL DIMENSION RANGE IN MM						
TO	OVER	TO	OVER	TO	OVER	TO	OVER	
6	6 TO 10	10	10 TO 24	30	30 TO 60	60	60 TO 100	100 TO 150
±0.10	±0.15	±0.25	±0.20	±0.30	±0.50	±0.70	±1.00	0.05/10



文管中心
 研发专用
 2014.10.24
 (仅限内部使用, 对外无效)



ITEM	DESCRIPTION	QTY	UNIT	MATERIAL	FINISH
4	DG300(A) Pin	400	B00010(-)	XX	Brass Tin Plated
3	DG300 1/4" Screw	500000	1610(-)	XX	Steel Cr+Zn
2	DG300 Spring	500000	230(-)	XX	Stainless steel

DETACHED LISTS		MATERIAL:		FINISH:		PART NO.:		NAME:	
TOLERANCES EXCEPT AS NOTED		.X ±		.XX ±		.XXX ±		.X' ±	
ANGLES ± 1'		APPD: Jean 10/18/14		TITLE: ASSEMBLY DRAWING		REV		3	
THIRD ANGLE PROJECTION		CHKD: Anon 10/18/14		DRAWING NO.: DG300-5.0-EC7		DO NOT SCALE DRAWING		SCALE N/A SHEET 1/1	

ITEM	NAME OF PART	NO. OF PART	Q'TY	MATERIAL	NOTES
1	DG300-5.0-Housing	4007AYYXXA(H)	1	PBT	UL94V-0

宇歌高正电子有限公司
 DEGSON® DEGSON ELECTRONICS CO., LTD

NAME: DG300-5.0-XXP-1Y-02A(-)