

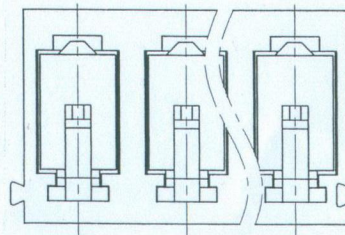
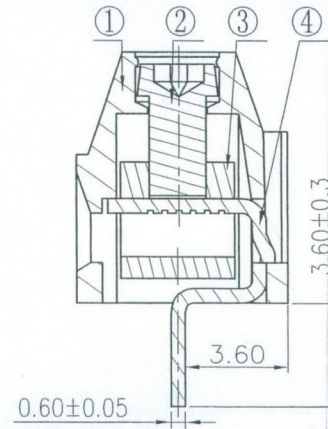
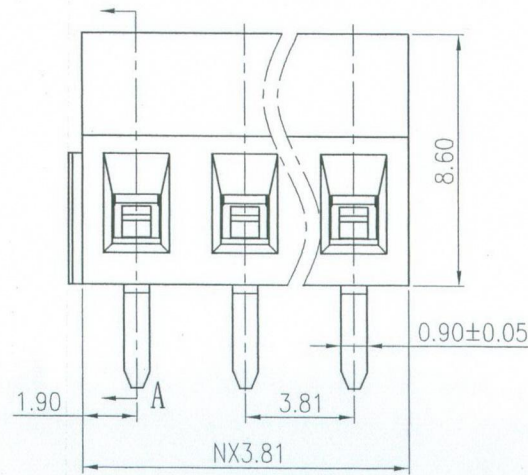
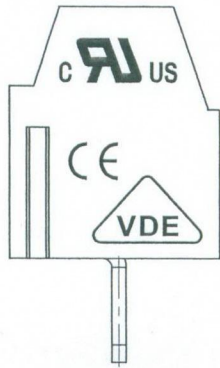
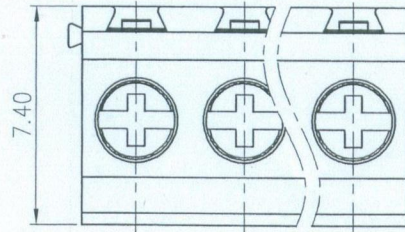
D1RFRD006

REVISION RECORD				
REV	ECO	DESCRIPTION	DRFT	DATE

Notes:

1. Pitch: 3.81mm, Poles: 2-XXP
2. Rated voltage/current: UL 300V/10A
VDE 130V/10A
3. Operation temperatures: -40°C ~ +105°C
4. Withstanding Voltage: AC2000V/1min
5. Insulation Resistance: 5000MΩ/DC1000V
6. Wire Range: 26~16AWG, 1mm²
7. Max. Torque Value: M2, 2.04kgf.cm
8. Undimensioned Tolerances:

Pitch range in mm			Nominal dimension range in mm				—
to 6	over 6 to 10	over 10 to 24	to 30	over 30 to 60	over 60 to 100	over 100 to 150	□
±0.10	±0.15	±0.25	±0.2	±0.3	±0.5	±0.7	±1.0



1	DG381-3.81-Housing	4047A0YXXA(H)	1	PA66	UL94V-0
ITEM	NAME OF PART	NO. OF PART	Q'TY	MATERIAL	NOTES
DETAILED LISTS	TOLERANCES EXCEPT AS NOTED	DFTO LJH DATE 01/15/09* CHKD <i>He</i> DATE 1/15/09* MFO DATE APPLV. <i>Huang</i> DATE 01/15/09*	宁波高正电子有限公司 DEGSON ELECTRONICS CO., LTD		
MM (INCH)	MM	MATERIAL:	NAME DG381-3.81-XXP-1Y-02A(H)		
.0 ±	±	C.E.:	DRAWING NO. DG381-3.81-E10		
.00 ±	±	FINISH:	/PART NO.		
.000 ±	±	SCALE: 1:1	SIZE A3		
ANGLES ± 1°	THIRD ANGLE PROJECTION	DO NOT SCALE DRAWING	REV TO 01/15/09*		
SHEET 1 OF 1			REV TO 01/15/09*		

4	DG381 Pin header	4047B00010(H)	XX	Phosphor bronze	SnCe
3	DG381 Cage	X000000300(H)	XX	Brass	Ni plated
2	DG381 "+" Screws-M2	S000001710(H)	XX	Steel	Cr ³⁺ Zn

8

7

6

5

4

3

2

1