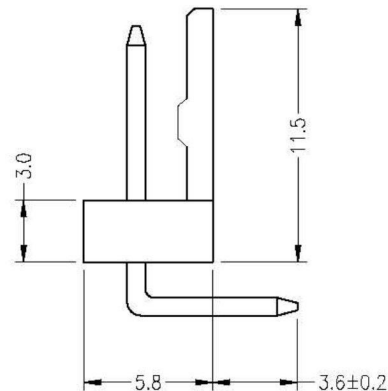


Poles	A	B	Poles	A	B
2.	2.54	5.08	-10	22.86	25.40
3	5.08	7.62	11	25.40	27.94
4	7.62	10.16	12.	27.94	30.48
5	10.16	12.70	13	30.48	33.02
6.	12.70	15.24	14	33.02	35.56
7	15.24	17.78	15	35.56	38.10
8	17.78	20.32	16	38.10	40.64
9.	20.32	22.86	20	48.26	50.80



■ (SPECIFICATIONS)

- ◆ Poles: 2~20
- ◆ Applicable wire : AWG#28~#22
- ◆ Voltage rating: AC,DC,250V(200HZ)
- ◆ Current rating: 3.0A,AC,DC
- ◆ Withstand voltage: 1000V AC/minute
- ◆ Working Temperature: -25°C~+85°C
- ◆ Insulation resistance: ≥1000 MΩ
- ◆ Contact resistance: ≤0.02 Ω

■ MATERIAL

- ◆ PIN Material : Brass
- (Wafer)
- ◆ Material : PA66, UL94-0

RoHS Compliant		玄茂科技股份有限公司 HSUAN MAO TECHNOLOGY CO., LTD.											
APPD. 核准	SCALE 比例 参考	<table border="1"> <tr> <th colspan="2">GENERAL TOLERANCE</th> </tr> <tr> <td>XX. ± 0.25</td> <td>XXX. ± 0.40</td> </tr> <tr> <td>X. ± 0.20</td> <td>XXX. ± 0.05</td> </tr> <tr> <td>X ± 0.15</td> <td>X' ± 2'</td> </tr> <tr> <td>XX ± 0.10</td> <td>X' ± 1"</td> </tr> </table>	GENERAL TOLERANCE		XX. ± 0.25	XXX. ± 0.40	X. ± 0.20	XXX. ± 0.05	X ± 0.15	X' ± 2'	XX ± 0.10	X' ± 1"	PART NAME 品名
GENERAL TOLERANCE													
XX. ± 0.25	XXX. ± 0.40												
X. ± 0.20	XXX. ± 0.05												
X ± 0.15	X' ± 2'												
XX ± 0.10	X' ± 1"												
DWG. 製圖 Helen	UNIT 單位 M M	SIZE. 紙張尺寸 A 4	2.54mm WAFER XXP RIGHT ANGLE TYPE WITH LOCKING RIBS TIN PLATED BEIGE INSULATOR(V2)										
DATE 製表日 2016/7/1	PAGE 張數 1 OF 1	REV. 版次 A	ROHS										
			PART NO. W2600-XXPRYTC0R										
			料號										