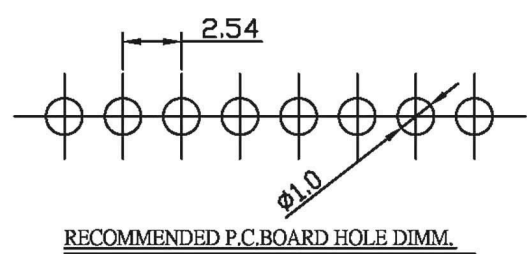
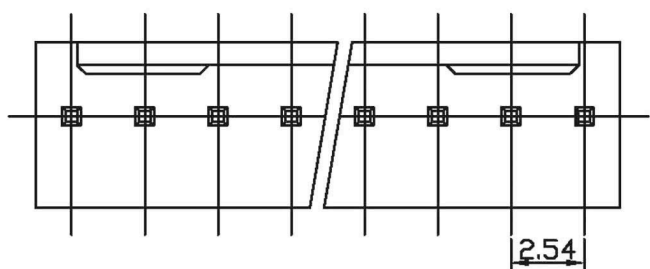


1 2 3 4 5 6 7 8

A
B
C
D
E
F
G
H

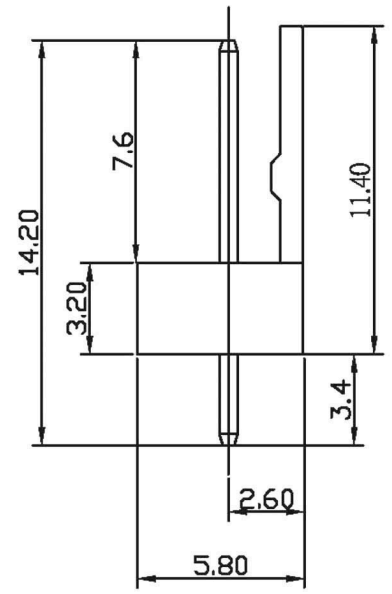
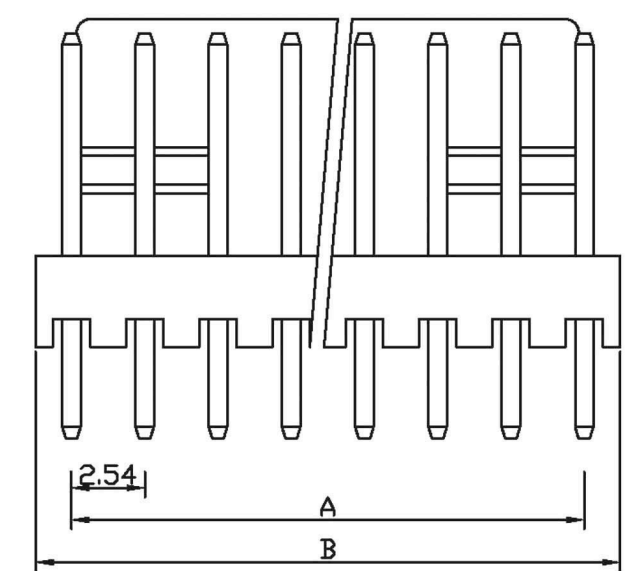
A
B
C
D
E
F
G
H



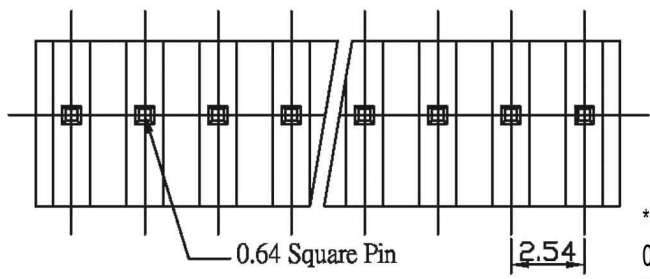
RECOMMENDED P.C.BOARD HOLE DIMM.

Specifications

Current Rating: 3A AC, DC
 Voltage Rating: 250 AC Maximum
 Operating Temp: -25°C ~ + 85°C
 Contact Resistance: 20MΩ Max
 Insulation Resistance: 1000MΩ Min
 Withstanding Voltage: 1000V AC/minute
 Terminal Material: Brass/ Tin-plated
 Material: Nylon 66, UL94V-2



Poles	Dimension mm (in.)	
	A	B
2	2.54(0.100)	5.12(0.202)
3	5.08(0.200)	7.66(0.302)
4	7.62(0.300)	10.20(0.402)
5	10.16(0.400)	12.74(0.502)
6	12.70(0.500)	15.30(0.602)
7	15.24(0.600)	17.94(0.706)
8	17.78(0.700)	20.48(0.806)
9	20.32(0.800)	23.02(0.906)
10	22.86(0.900)	25.58(1.007)
11	25.40(1.000)	28.12(1.107)
12	27.94(1.100)	30.68(1.208)
13	30.48(1.200)	33.10(1.303)
14	33.02(1.300)	35.80(1.409)
15	35.56(1.400)	38.34(1.509)
16	38.10(1.500)	40.94(1.612)
17	40.64(1.600)	43.30(1.705)
18	43.18(1.700)	45.90(1.807)
20	48.26(1.900)	50.80(2.000)



**A & B Tolerance:
 02P~10Pin Tolerance vale:±0.25
 11P~20Pin Tolerance vale:±0.35

RoHS Compliant		玄茂科技股份有限公司 HSUAN MAO TECHNOLOGY CO., LTD.	
APPD. 核准	SCALE 比例 参考	TOLERANCE 容許公差 XX ± 0.25 XX ± 0.35 ANG. ±	PART NAME 品名
DWG. 製圖 HELEN	UNIT 單位 M M	SIZE. 紙張尺寸 A 4	2.54mm WAFER XYP STRAIGHT TYPE WITH LOCKING RIBS TIN PLATED BEIGE(UL94-V2) ROHS
DATE 制表日 2012/1/12	PAGE 張數 1 OF 1	REV. 版次 C	PART NO. 料號 W2600-XXPSYTC0R

1 2 3 4 5 6 7 8