



### XT60PB series products

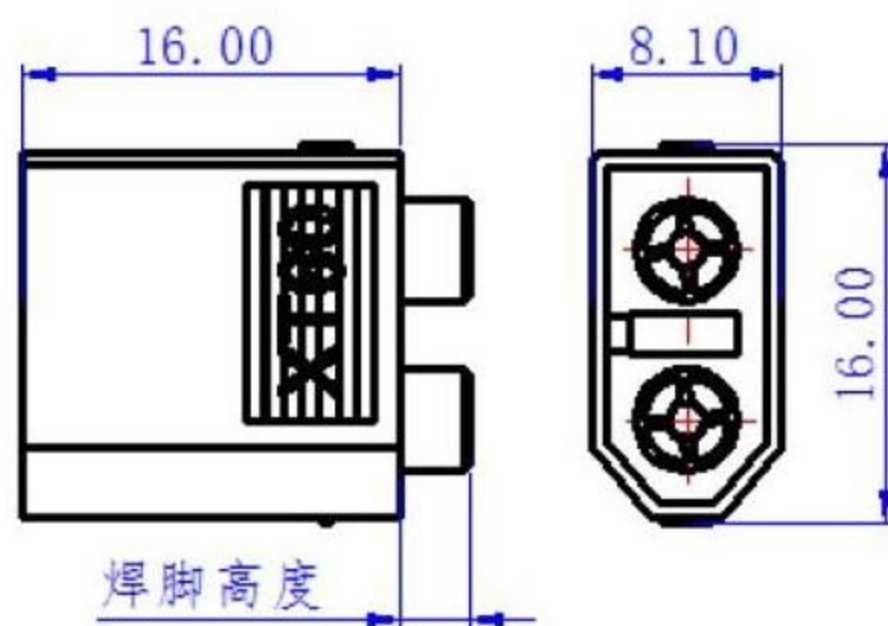
1. This series of products is a board vertical injection molding 2PIN connector, which provides an integrated solution for the vertical space PCB board. It is a standard part for the current power lithium battery power supply, and has a wire-to-wire design, etc.: It can be applied to lithium batteries and control wire-to-board, board-to-board

2.

Connect the scene.

Electrical Characteristics	
Rated current	35A MAX ( $\Delta < 85^{\circ}\text{C}$ )
Withstand voltage	500V DC
Insulation resistance	$\geq 2000\text{M}\Omega$
Contact resistance	$\leq 1.0\text{m}\Omega$
Mechanical properties	
Service life	100
Salt spray	48h
Environmental resistance	
Protection class	IP40
Operating temperature	$-20^{\circ}\text{C}$ to $120^{\circ}\text{C}$
Flammability rating	UL94 V-0
Material	
Outer casing	PA
Pinhole parts	Copper alloy, electroplating: gold plating

XT60PB-M



PCB

