

PCB Mount Filters FP Series (plastic case)

General purpose PCB mount

- Personal computers and peripherals
- Digital equipments
- Measuring instruments and medical equipments
- Low power SMPS
- Consumer electronics

Filter Range

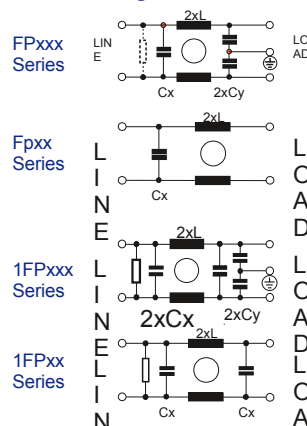
Model	U (V)	I (A)	Cx(nF)	Cy(nF)	L(mH)				
FP218-1	250VAC		33	2.5	10				
FP28-1				10					
FP214-2				2.5	2.5				
FP24-2				2.5					
FP212-6				2.5					
FP22-6				2.5					
FP105-0	250VAC	0,5	100	10	2,5				
FP315-0				47					
FP415-0, 1FP415-0R				100					
FP615-0R, 1FP615-0R				220					
FP104-1				10					
FP314-1				47					
FP414-1, 1FP414-1R	250VAC		100	2.5					
FP614-1R, 1FP614-1R				220					
FP102-2				10					
FP312-2				47					
FP412-2, 1FP412-2R				100					
FP612-2R, 1FP612-2R				220					
FP101-4	250VAC		100	2.5	0,5				
FP311-4				47					
FP411-4, 1FP411-4R				100					
FP611-4R, 1FP611-4R				220					
1FP45-0R				250VAC		0,5	100		
1FP65-0R									
1FP44-1R	100								
1FP64-1R	220								
1FP42-2R	100								
1FP62-2R	220								
1FP41-4R	250VAC		100		0,5				
1FP61-4R						220			



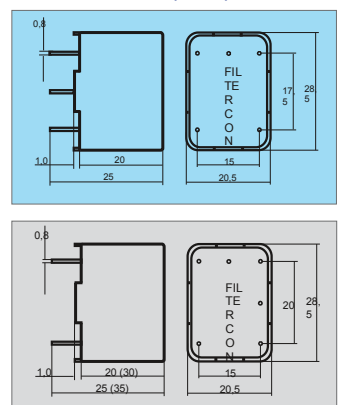
Electrical Specifications

Rate Voltage: max 250V, 50/60Hz
 Rated current: referred to room temperature = 40 C
 Leakage current at 220V, 50Hz max 0,5 mA
 Voltage test (2 sec): line to ground (*3000) VDC
 line to line 1075 (*1700) VDC
 Climatic category: HPF (25/085/21)
 temperature range: -25 C to +85 C
 Bleeder Resistor (1M) is available only for Cx >100nF
 Plastic case sealed with silicone

Circuit Diagram



Dimensions (mm)



Insertion loss (typical)

