

# Power Line Filters FB1S & FB1M Series with Overvoltage Protection Element

## Applications:

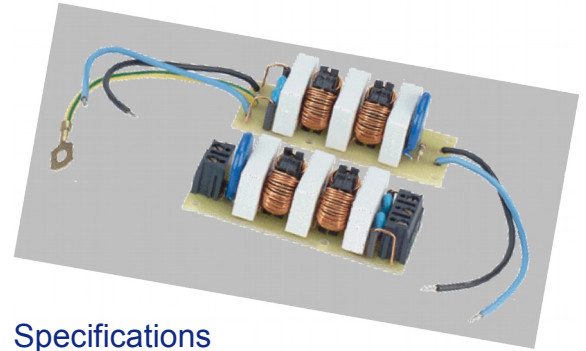
Digital equipment. Mini-computers and peripherals.  
 Measuring instruments and medical instruments.  
 Equipment requiring very high impulse attenuation and very high noise attenuation (FB1M). Suitable for factory automation equipment. Industrial equipment such as UPS, inverters and converters. Communication equipment. Office automation equipment, such as copy machines, FAX, etc.

## Features:

Space saving, compact design. Excellent attenuation for high voltage impulse. Excellent filtering characteristics for both normal mode (Symmetrical) and common mode (Asymmetrical). Bidirectional structure effective for noise generated externally and internally.

## Technical data:

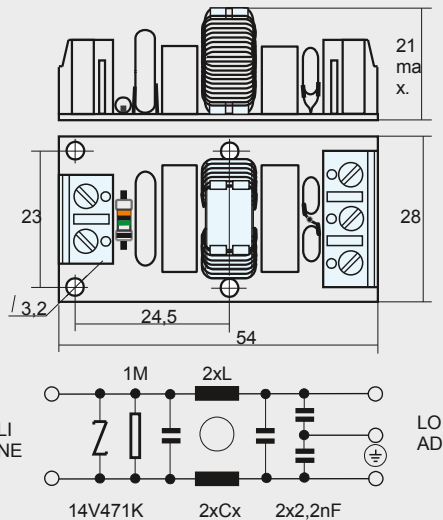
Nominal current at 40 °C: According to specifications.  
 Leakage current: 0,7 mA/250V max. Discharge time: 0,7 s max.  
 Ambient temperature: -40 °C to +85 °C.



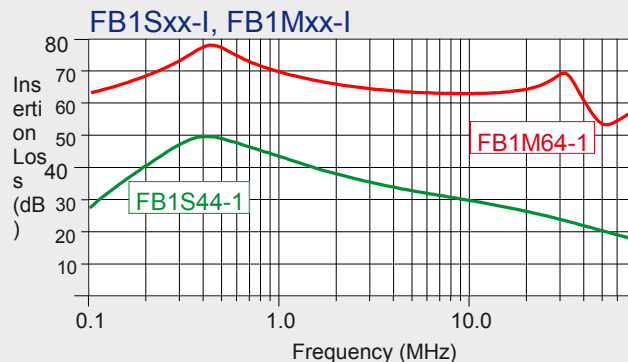
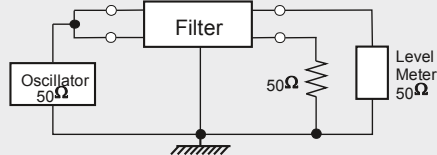
## Specifications

Model	U (V)	I (A)	Cx(nF)	L(mH)
FB1S(M)48-0	250V AC	0,5	100	10
FB1S(M)68-0			220	
FB1S(M)45-1	250V AC		100	
FB1S(M)65-1			220	
FB1S(M)42-4	250V AC		100	
FB1S(M)62-4			220	
FB1S(M)40-6	250V AC		100	0,5
FB1S(M)60-6			220	

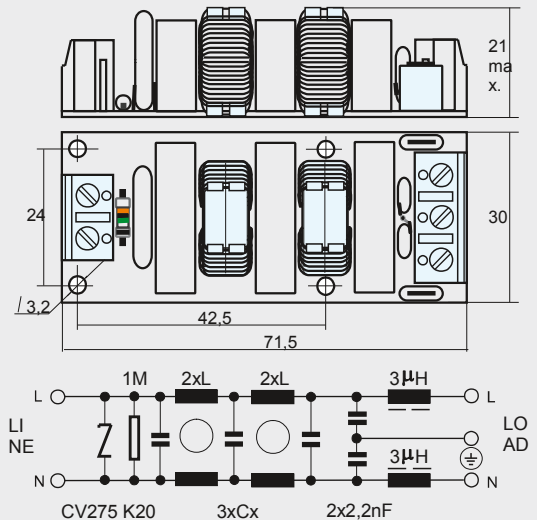
## FB1Sxx-I (Single Circuit)



## Asymmetrical



## FB1Mxx-I (Multisection Circuit)



## Symmetrical

