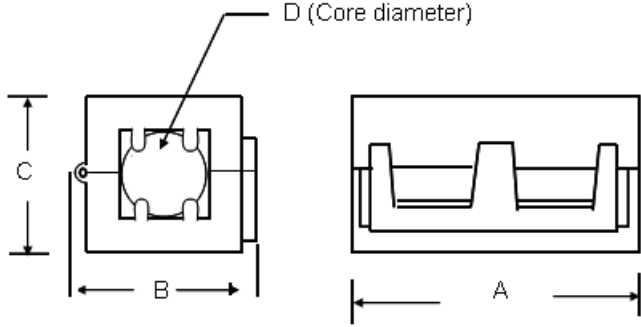


<p>DIMENSION(UNIT:mm)</p> 			A	33.0 ± 1.0	m/m
			B	23.5 ± 1.0	m/m
			C	23.5 ± 1.0	m/m
			D	10.2 ± 1.0	m/m
ELECTRICAL REQUIREMENTS			CASE COLOR		
MIN 90 OHM	TEST FREQ	25 MHz	B:BLACK		
MIN 160 OHM	TEST FREQ	100 MHz	W:WHITE		
			G:GRAY		
MATERIAL (ui)	1000 ± 25%				
WIRE	φ 0.6 × 100 mm				
WINDING	1 Ts				

IMPEDANCE			DIMENSION (UNIT : mm)						
FREQ	25 MHz	100 MHz		A	B	C	D		
SPEC	MIN 90 OHM	MIN 160 OHM		33.0 ± 1.0	23.5 ± 1.0	23.5 ± 1.0	10.2 ± 1.0		
1	128.9	201.2		33.00	23.82	23.66	10.14		
2	129.2	205.9		32.96	23.84	23.57	10.06		
3	128.3	201.8		32.91	23.94	23.57	10.00		
4	132.2	200.2		32.92	23.87	23.64	10.05		
5	129.4	200.7		33.10	23.80	23.63	10.04		
6	128.9	201.2		33.00	23.82	23.66	10.14		
7	129.2	205.9		32.96	23.84	23.57	10.06		
8	128.3	201.8		32.91	23.94	23.57	10.00		
9	132.2	200.2		32.92	23.87	23.64	10.05		
10	129.4	200.7		33.10	23.80	23.63	10.04		
X	129.6	202.0		32.98	23.85	23.61	10.06		
R	3.9	5.7		0.19	0.14	0.09	0.14		

