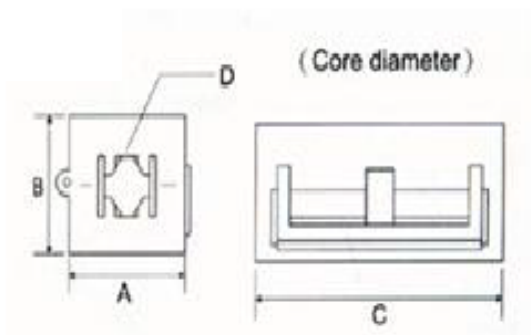


D FLF102B-2

MULTILAYER FERRITE CHIP FERRITE INDUCTORS

Shape And Dimensions



| Item | No Tube |
|------|-----------|
| A | 22± 1.0 |
| B | 23± 1.0 |
| C | 32.5±1 .5 |
| D | 10±0 .5 |
| E | |

appearance standard

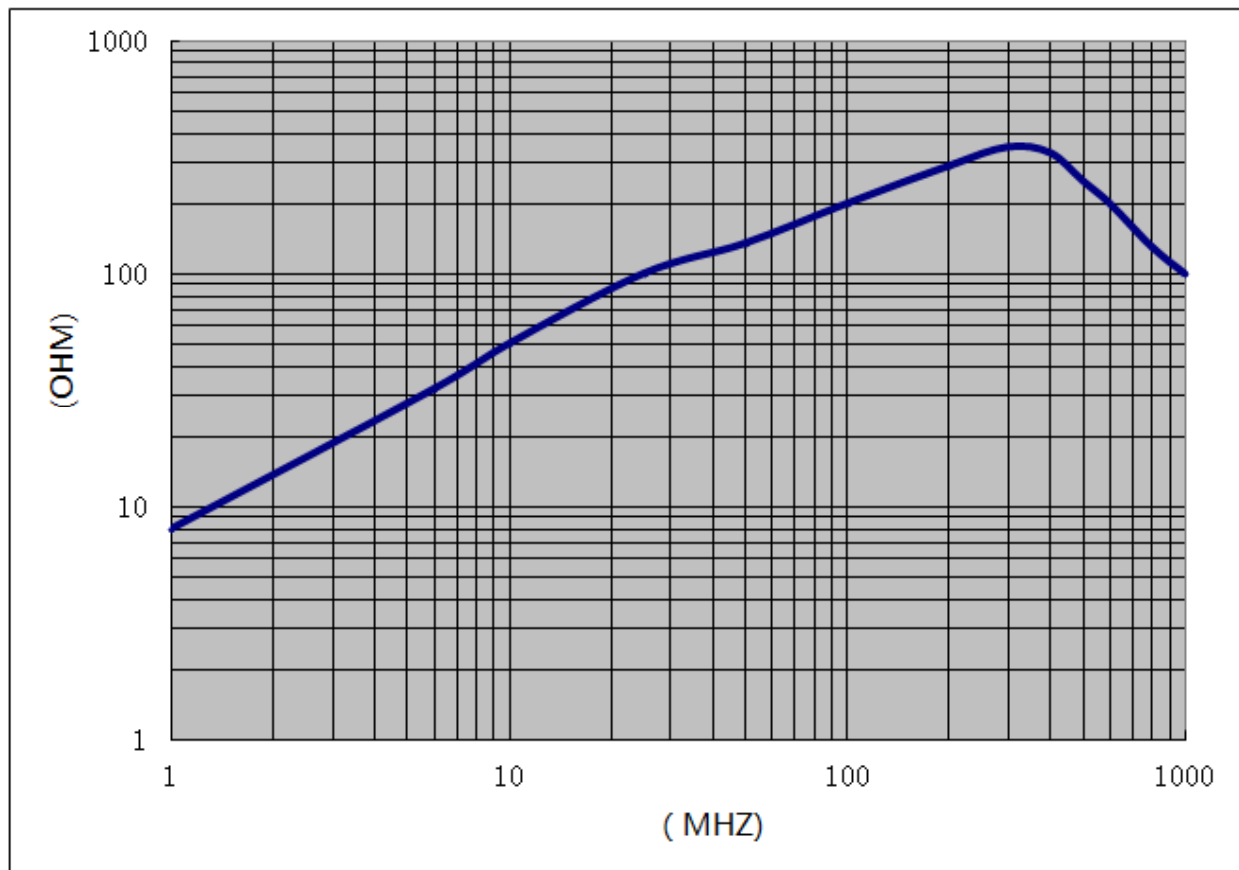
| | |
|-----------------------------|-------------------|
| (ALL AREA OF BREAKAGE) | ≤2MM ² |
| (THE DEPTH OF THE BREAKAGE) | ≤0.4MM |
| (THE LENGTH BURR) | ≤0.2MM |

Material properties

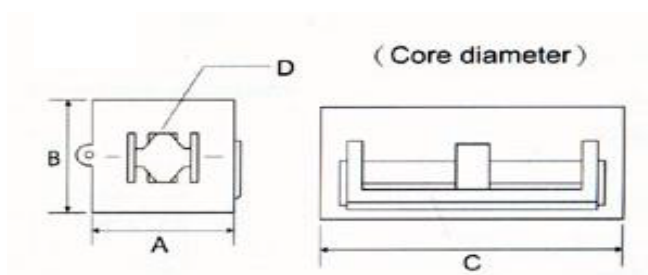
| Item | Symbol | Condition | Value | Unit |
|---|-----------|-----------|----------------|--------------------------|
| Initial Permeability | ui | | 650±25% | |
| Working Frequency | f | 25° C | 0.1--1 | MHz |
| Relative Loss Factor | tan δ /ui | 25° C | 18 0.1MHz | ⁻⁶ X10 |
| Saturation Magnetic Flux Density | Bs | 25° C | 400 4000A/M | MT |
| Remanence | Br | 25° C | 280 | MT |
| Coercitive Force | Hc | 25° C | 25 | A/m |
| (20--60° C) Relative Temperature Coefficient | aur | | 7--18 | ⁻⁶ X10 ° C |
| Curie Temperature | Tc | | ≥180 | ° C |
| Electrical Resistivity | ρ | 25° C | 5 10 | Ω.m |
| Density | d | 25° C | 4.8 | g/cm ³ |

D FLF102B-2

| | | | | | | | | | | | | | |
|-----|---|----|----|-----|-----|-----|-----|-----|-----|-----|-----|-----|------|
| MHZ | 1 | 6 | 10 | 25 | 50 | 100 | 200 | 300 | 400 | 500 | 600 | 800 | 1000 |
| OHM | 8 | 32 | 50 | 100 | 135 | 200 | 290 | 350 | 330 | 250 | 200 | 130 | 100 |



COILS $\Phi 0.65$ (2UEW)*100mm *1Ts METER: HP-4291B



| Value mm | 1 | 2 | 3 | 4 | 5 | 6 | 7 | 8 | 9 | 10 | decide | |
|----------|----------|-------|-------|-------|-------|-------|-------|-------|-------|-------|--------|----|
| A | 22±1.0 | 22.04 | 22.02 | 22.06 | 22.01 | 21.98 | 21.97 | 22.02 | 22.04 | 22.05 | 22.02 | OK |
| B | 23±1.0 | 23.04 | 23.02 | 23.05 | 23.02 | 22.98 | 22.98 | 23.02 | 23.04 | 23.05 | 23.02 | OK |
| C | 32.5±1.5 | 32.55 | 32.53 | 32.55 | 32.54 | 32.49 | 32.54 | 32.52 | 32.55 | 32.53 | 32.52 | OK |
| D | 10±0.5 | 10.02 | 10.03 | 10.05 | 10.02 | 9.98 | 9.98 | 10.02 | 10.04 | 10.04 | 10.02 | OK |

| | | | | | | | | | | | | |
|----------------------|-------------------------------|-----|-----|-----|-----|-----|-----|-----|------------------|----------|-----|----|
| test condition: | $\Phi 0.65$ (2UEW) *1TS*100MM | | | | | | | | test instrument: | HP-4291B | | |
| 25MHZ $Z1 \geq 90$ | 100 | 100 | 100 | 101 | 101 | 101 | 101 | 100 | 100 | 100 | 100 | OK |
| 100MHZ $Z2 \geq 180$ | 200 | 200 | 200 | 199 | 199 | 199 | 199 | 200 | 200 | 200 | 200 | OK |