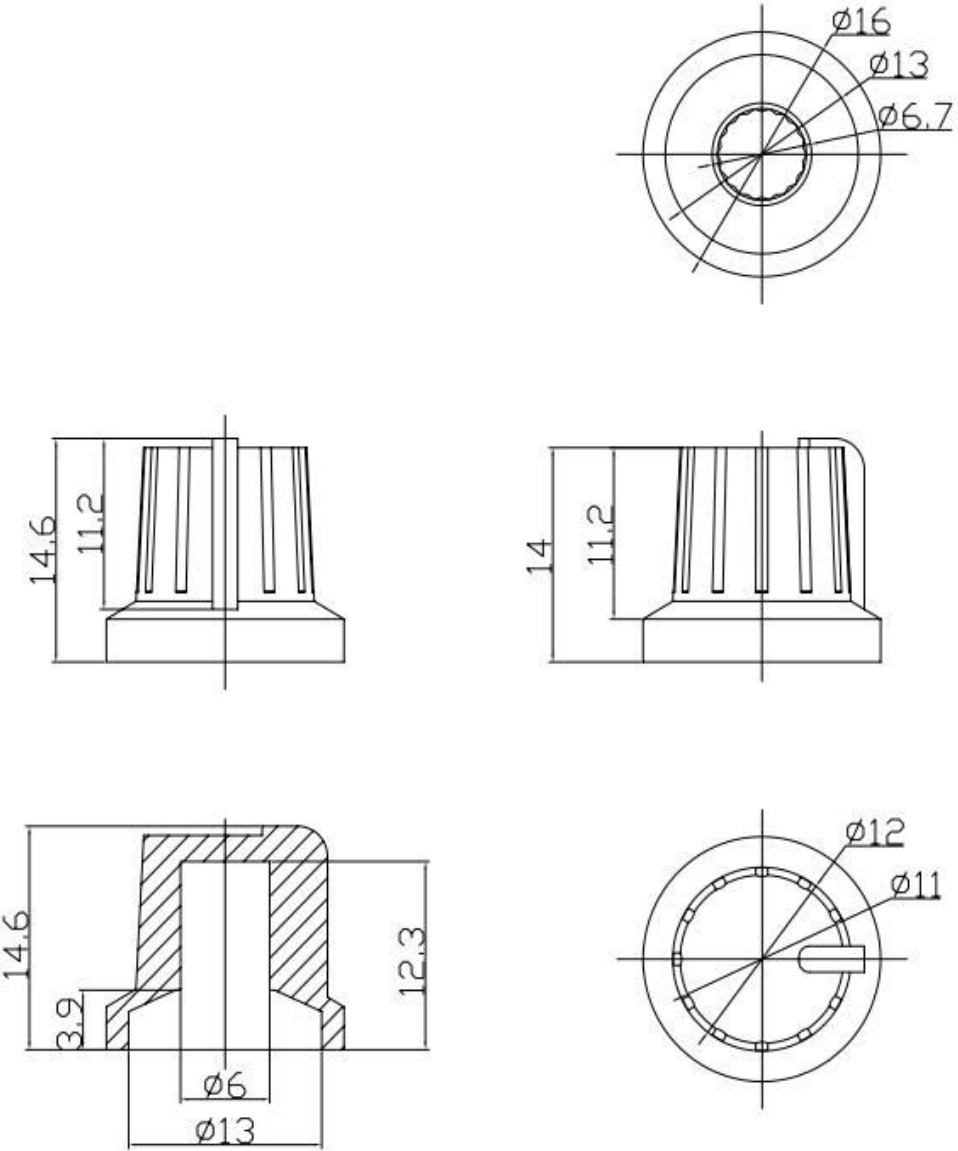


Part NO.	G 116B_x	Drawing	
Dimensions	16x14.6mm		
Material	Rubber+Plastic		
Color	Black body White/Green/Red/Blue/ Yellow line		
Shaft Hole	18 teeth		
