

BriFlex™ is a flexible lighting system using LED technology. The flexible LED system is consisted of a series of SMD LEDs (Light Emitting Diodes) mounted on an elongated flexible PCB strip. The LED strip comes in standard 5 meter length. Each piece can be cut or interconnected at each end to form a chain of light modules.

BriFlex™ can be used to back lid a signage letter, retrofit light fixture and exit sign or mounted inside architecture ceiling as indirect lighting. This system actually consumes 80-90% less power compare to similar neon system.

There is many color choices for the LED: red, amber, yellow, green, blue and white. Installation is easy, each strip is equipped with double sided tape and installation can be done by untrained installer.

BriFlex™ is very flexible and can be cut (at 3 LEDs interval) or connected end to end to form different length as desired. Therefore, it is very suitable for any applications and locations.



Features

- LED based solid state lighting module
- High brightness, long life and consume 80% less power compare to neon tubes
- Operates in many different indoor/outdoor environments
- Very durable
- Plug and play installation.
- Low maintenance and low operating cost
- 1 year limited warranty from manufacturer
- Low voltage, safe to operate at 12VDC

Applications

- Signage backlighting or side lighting
- Exit Sign light source
- Retrofit light fixtures
- Low level architecture lighting
- Interior lighting

Optional Items

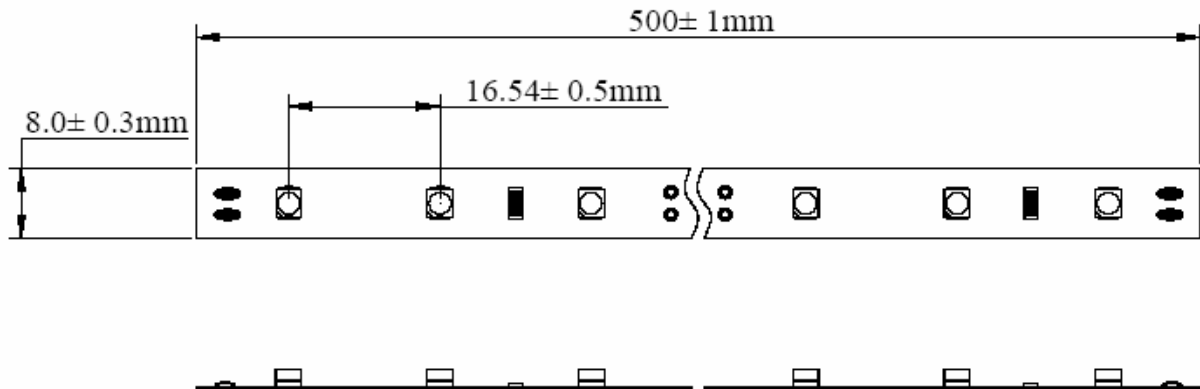
- Low voltage 12V DC switching power supply
- Different viewing angle (45°,60° or 120°)



Product Dimension (one unit length)

Metrics (mm)

LED Strip	Length	Width	Height	No. LEDs
BF1311XX-30-12F	500.0 ± 1.0	8.0 ± 0.3	1.0 ± 0.3	30



Unit: mm

Fig 1. LED Strip Dimension

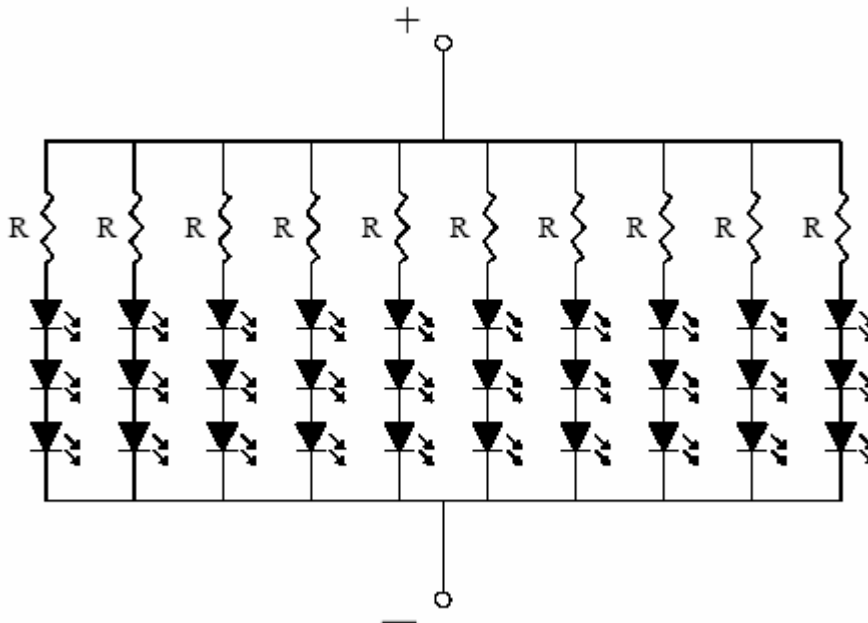
Product Circuit Diagram (one unit length)


Fig 2. LED Strip Circuit Diagram

Optical Characteristics

Wavelength λ_d , Luminous Flux and Viewing Angle (Typical)

Part No.	Color	λ_d (nm)	Lumens	Viewing Angle
BF1311UR-30-12F	Red	625±5	33	120°
BF1311UA-30-12F	Amber	605±5	18	
BF1311UY-30-12F	Yellow	585±5	17	
BF1311UG-30-12F	Green	520±5	33	
BF1311UB-30-12F	Blue	465±5	16	
BF1311UW-30-12F	White	X=0.31, Y=0.32	33	

Thermal Characteristics

Item	Storage Temp.	Operating Temp.
Power Supply ^[optional item]	-20°C to +85°C	-10°C to +60°C
Light Strip	-40°C to +80°C	-20°C to +40°C

Electrical Characteristics

Operating Voltage, Current and Power Dissipation for each unit length

Color	Voltage (V)	Current (mA)	Power (Watt/unit)
Red/Amber/Yellow	12.0	160mA	1.90
Blue/Green/White	12.0	160mA	1.90

Packaging Specification

Max Run Length Per Reel

Color	Maximum Length
Red/Amber/Yellow/ Blue/Green/White	5 meter

Part Numbering System:

Part Number	Color	Dimension (mm)
BF1311UR-30-12F	Red	500X8X1
BF1311UY-30-12F	Yellow	
BF1311UA-30-12F	Amber	
BF1311UG-30-12F	Green	
BF1311UB-30-12F	Blue	
BF1311UW-30-12F	White	

LIMITED WARRANTY

Manufacturer warrants to the Purchaser that each Product manufactured and sold by it will be free from defects in material and workmanship in its intended use (normal wear and tear excepted) for the period of one year from date of Purchaser's purchase (the invoice date) from Manufacturer. Manufacturer's warranty flows only to Purchaser. If any Product covered by this warranty is returned by Purchaser in accordance with Manufacturer's Products Return Policy, including without limitation its return authorization provisions, within the applicable warranty period set forth above, and upon examination Manufacturer determines to its satisfaction that such Product was defective in material or workmanship at the time of delivery to the Purchaser, Manufacturer will, at its option, repair or replace the Product or the defective part thereof, or reimburse Purchaser for the purchase price. For purposes of clarity, "repair or replace the Product or the defective part thereof" does not include any reinstallation costs or expenses. If Manufacturer chooses to replace the Product and is not able to do so because it has been discontinued or is not available, Manufacturer may replace it with a comparable product. The Products Return Policy is posted on Manufacturer's Internet web site at http://www.brilliance-led.com/En_terms_conditions.asp. The foregoing notwithstanding, Manufacturer will not be responsible for damage to any Product resulting from misuse, negligence, acts of God or accident or resulting from repairs or alterations made by any person or firm not duly authorized by Manufacturer in writing. Purchaser shall convey with each Product distributed to end users the MANUFACTURER'S LIMITED WARRANTY included by Manufacturer with such Product, and, if Manufacturer determines that the appropriate remedy for a defective product is refund of Purchaser's purchase price, Purchaser shall refund to the end user (or arrange for the refund to the end user of) the full purchase price paid by the end user for such defective Product.

THIRD PARTY WARRANTIES

With respect to products sold to the Purchaser by Manufacturer but not manufactured by Manufacturer, MANUFACTURER MAKES NO WARRANTY OF ANY KIND, EXPRESS OR IMPLIED, INCLUDING, WITHOUT LIMITATION, ANY WARRANTY OF MERCHANTABILITY OR FITNESS FOR A PARTICULAR PURPOSE, but will make available to the Purchaser, to the extent permitted by law and relevant contracts, the warranties of the manufacturer of the relevant product upon the Purchaser's timely written request.

NON-IMPLIED WARRANTIES

THE WARRANTIES GIVEN IN THESE TERMS ARE THE ONLY WARRANTIES GIVEN BY THE MANUFACTURER WITH RESPECT TO THE PRODUCTS AND ARE GIVEN IN LIEU OF ALL OTHER WARRANTIES, EXPRESS OR IMPLIED, INCLUDING, BUT NOT LIMITED TO, WARRANTIES OF MERCHANTABILITY, OF NON INFRINGEMENT AND OF FITNESS FOR A PARTICULAR PURPOSE. PURCHASER'S EXCLUSIVE REMEDIES, AND MANUFACTURER'S SOLE LIABILITY, FOR ANY NONCONFORMITY OR DEFECT IN ANY PRODUCT SHALL BE THOSE EXPRESSED HEREIN.

LIMITATION OF LIABILITY

An essential purpose of the limited exclusive liabilities and remedies in this Agreement is allocation of risks between Manufacturer and Purchaser, which allocation of risks is reflected in the purchase price for the Products. UNDER NO CIRCUMSTANCES SHALL MANUFACTURER'S LIABILITY ARISING OUT OF OR IN CONNECTION WITH THIS AGREEMENT OR MANUFACTURER'S PERFORMANCE OR ASSERTED FAILURE TO PERFORM HEREUNDER, IN CONTRACT, TORT (INCLUDING NEGLIGENCE) OR OTHERWISE, EXCEED THE PURCHASE PRICE OF THE PRODUCT TO WHICH SUCH LIABILITY RELATES. IN NO EVENT SHALL MANUFACTURER BE LIABLE FOR SPECIAL, INCIDENTAL OR CONSEQUENTIAL DAMAGES, INCLUDING, WITHOUT LIMITATION, DAMAGES RESULTING FROM LOSS OF USE, PROFITS, BUSINESS OR GOODWILL, WHETHER OR NOT MANUFACTURER HAS BEEN ADVISED OF THE POSSIBILITY THEREOF.