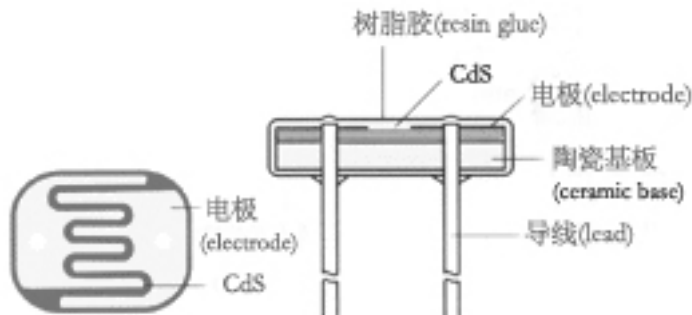


GL5537-1

Schematic Drawing



Performances and Features

- Coated with epoxy
- Small volume
- Quick response
- Good reliability
- High sensitivity
- Good spectrum characteristic

Typical Applications

- Camera automation photometry
- Indoor sunlight control
- Industrial control
- Optical control lamp
- Photoelectric control
- Annunciator
- Optical control switch
- Electronic toy

Standard Type and Specifications

Specification	Type	Maximum	Maximum power	Environmental	Spectrum peak value
Φ5	GL5537-	150	100	-30~+70	540

Specification	Light resistance (10Lux) (KΩ)	Dark resistance (MΩ)	$\gamma_{10}^{100}$	Response time (ms)		Illuminance resistance characteristic
				Increase	Decrease	
Φ5	20-30	2	0.6	20	30	

### Testing Conditions

**Max external voltage:** Maximum voltage to be continuously given to component in the dark.

**Max power consumption:** Maximum power at the environmental temperature 25°C.

**Light resistance** Irradiate by 400-600Lux light for two hours, then test with 10Lux under standard light source A(as colour temperature 2856K)

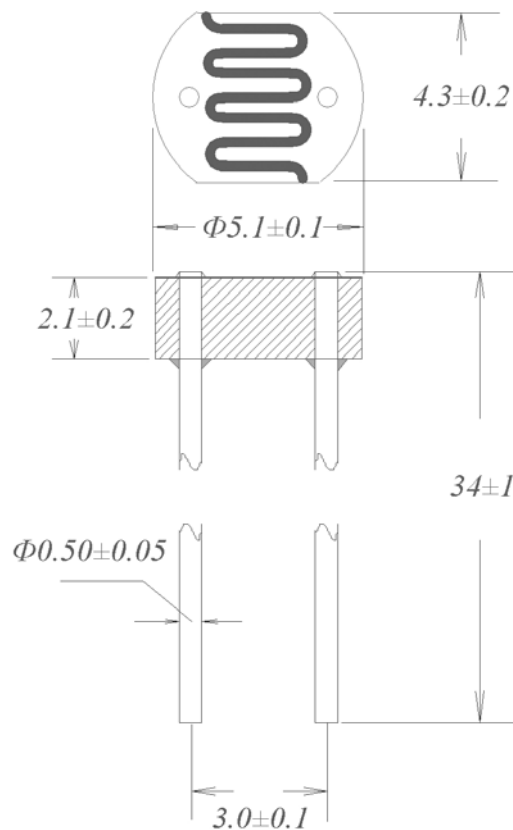
**Dark resistance** Refer to the resistance value ten seconds after the 10Lux light is shut up.

### Packaging and Notice

1000PCS/ Bag

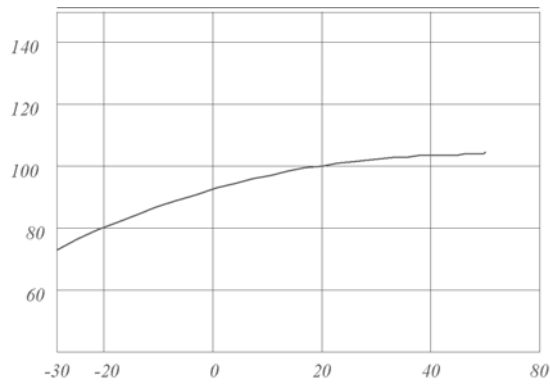
20000PCS/ Carton

### Main Characteristics Curve and Dimensions



Specification unit: mm

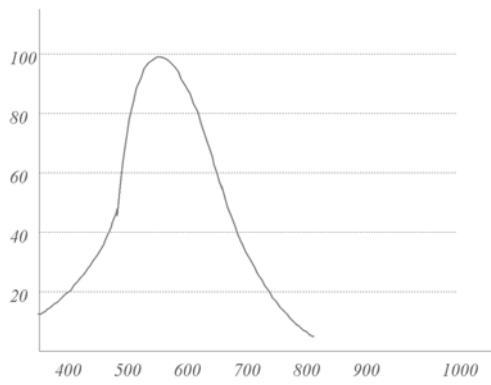
Relative Resistance (%)



Temperature (°C)

Temperature-Property

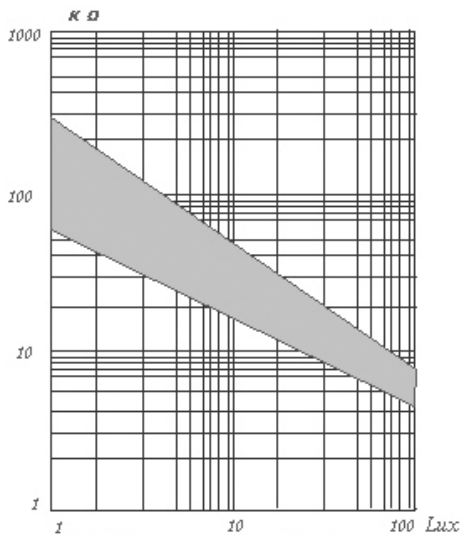
Relative Response (%)



Wavelength λ (nm)

Spectrum Response Characteristic

**Illuminance-Resistance Characteristics Curve**



Illuminance –Resistance Curve



SENBA OPTOELECTRONIC **Nanyang Senba Optical&Electronic Co., Ltd**

**Add:** 2nd Floor, #D Building, HuaWan Industrial Zone,  
GuShu, XiXiang Street, Bao'an Dist., ShenZhen City,  
GuangDong Province, China (518102)

**Tel:** +86-755-82591635

**Fax:** +86-755-82594762

**Mobile:** +86-13713635820

**Skype:** lemengzhi

**Email:** [mon@nysenba.com](mailto:mon@nysenba.com)

**Website:** <http://en.nysenba.com>