

ROTARY POTENTIOMETERS WITH METAL SHAFT

General

- This specification is applied to potentiometers used for electronic equipment.
- Operating temperature: $-10^{\circ}\text{C} \sim 70^{\circ}\text{C}$

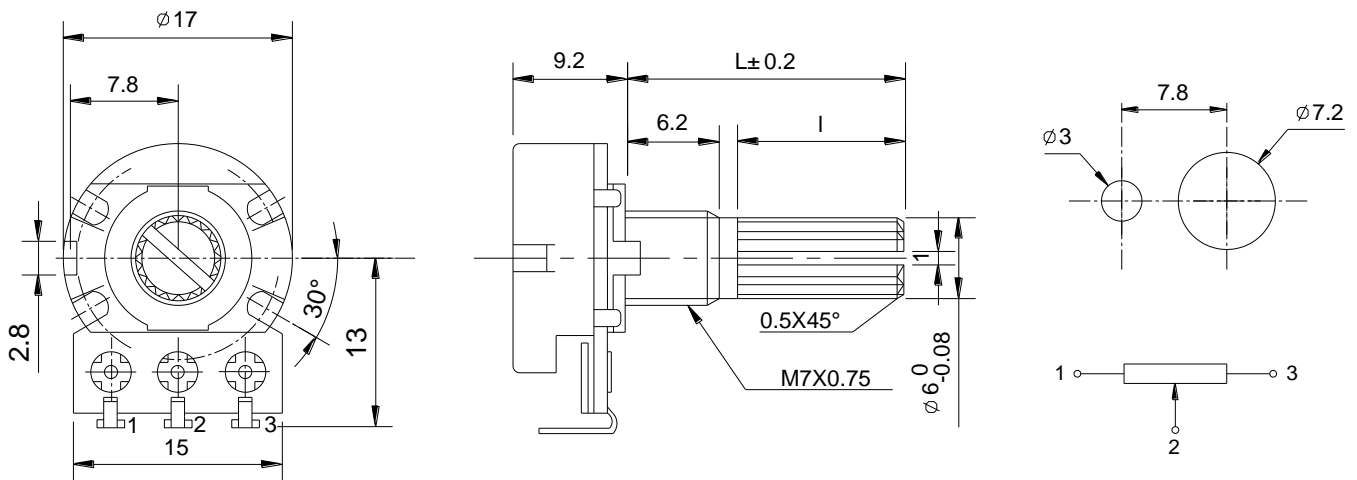
Features

- Long life model, low cost
- Better feeling, center detent available
- Special tapers.

Applications

- Multimedia, computer speaker, Stereos amplifier etc

OUTLINE DRAWING AND MOUNTING HOLE DETAIL



CHARACTERISTICS

ITEM		SPECIFICATION
Electrical Characteristics	Temp Range	-10°C ~ 70°C
	Rated Power	Curve B:0.125W Other curve B:0.053W
	Max Operation Voltage	Curve B:200V Other curve B:150V
	Resistance Range	1KΩ ~ 2MΩ
	Allow Desistance Tolerance	±20%(1MΩ or more30%)
	Rotational Noise	≤47mV
	Terminal Resistance	R≥250KΩ 0.1%R max 250KΩ>R>10KΩ 20Ωmax 10 KΩ≥R 10Ωmax
	Resistance Law	A、 B、 C
	Dielectric	AC500V,1minute
	Insulation Resistance	More than 100MΩ at DC500V
Mechanical Characteristics	Rotational Torque	2 ~ 20 mN.m (20 ~ 200gf.cm)
	Total Rotational Angle	300°±5°
	Rotary life	10,000 cycles
	Shaft Stopper Strength	6Kgf.cm
	Push Pull Strength	60 N
	Click position	Center detent or 10,20,40 position clicks
Soldering		T≤260°C, t≤3s