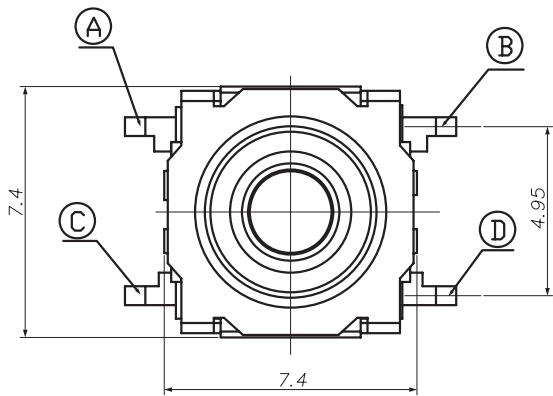


# Switch

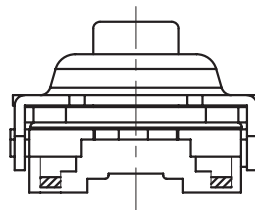
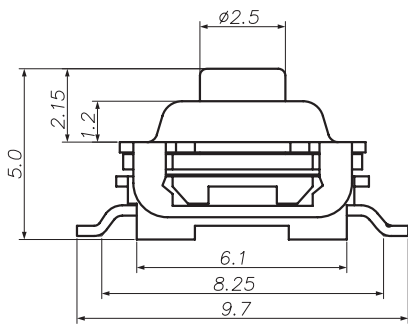
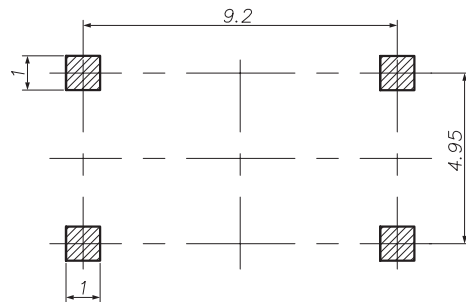
## Tact Switch Series

### ELECTRICAL

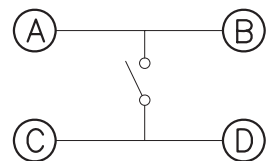
1. Rating: 50mA 12Vdc
2. Contact Resistance : 50mΩ Max.
3. Insulation Resistance: 100MΩ Min.
4. Dielectric Strength : AC250V(50/60Hz for 1minute)
5. Electrically Life: 80, 000cycles
6. Environment temperature: -25°C~+70°C
7. Operating Force: 180~250±30gf
8. Seal temperature: 260°C~ 280°C



Recommended P.C.B layout



SCHEMATIC



## ORDER INFORMATION

**TS7710 - H1-250 -B**  
 Part Number      Packing: B-Bulk    T-Tape  
    Operating Force : 180~250gf  
    High: H1=5.0mm