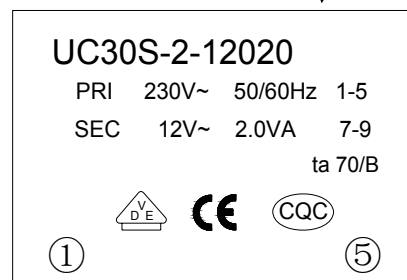
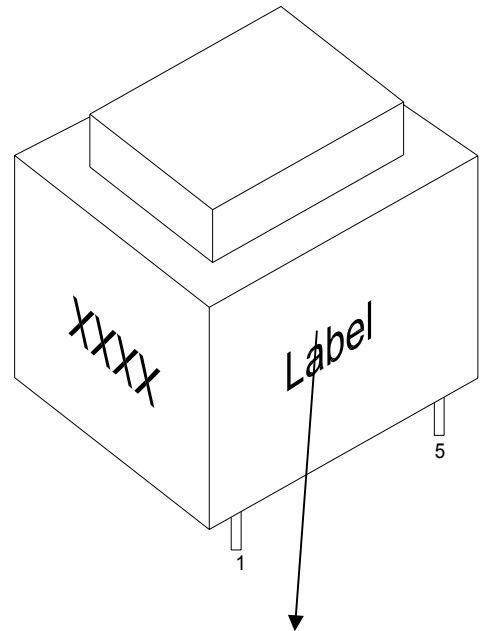
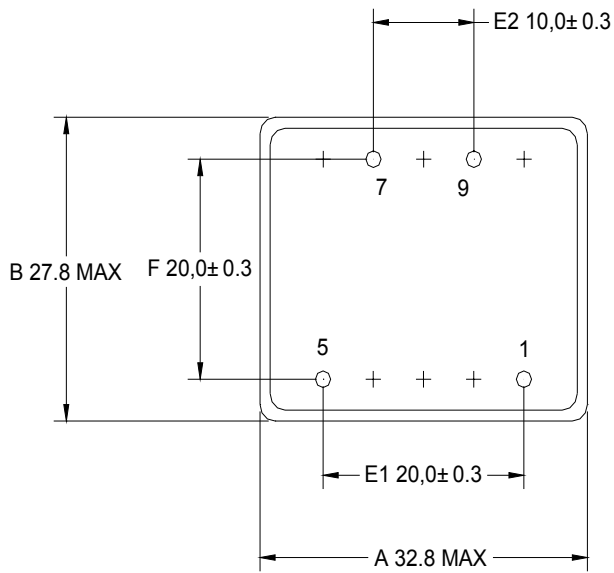
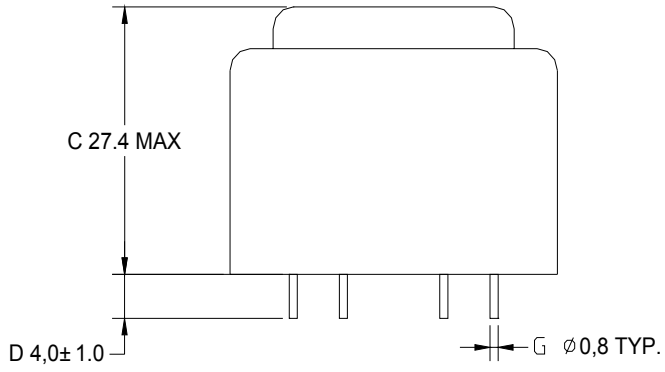


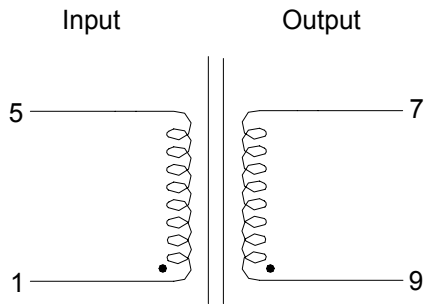
# Outline Drawing

## 1. Physical Dimension (UNIT: mm)



## Electical Performance

### 2、Electrical Schematic:



### 3、Electrical Specification:

ITEM	TERMIANL	SPECIFICATION	TEST CONDITION	TEST INSTRUMENTS
EXCITATION CURRENT (mA)	1--5	11 MAX	Input: (1--5) 230V /50Hz	GDW 4033A
LOSS POWER (W)	1--5	0.8 MAX		
Load Voltage (VAC)	7--9	12±10% @ 167mA		
No-Load Voltage (VAC)	7--9	20.7 Max		
RESISTANCE (Ω)	1--5	2420±10%	Ta=25° C	TH2512B
	7--9	26.8±15%		
INSULATION RESISTANCE	P--S	100MΩ MIN	DC500V /1min	CS5603
HI-POT	P--S	4200V 1mA 1s	50Hz	

### 4、TEMPERATURE RISE TEST: (Ta=25°C INPUT 230V 50Hz)

PRI. & SEC. WINDING'S TEMPERATURE RISE 45°C MAX. AT RATED LOAD. (RESISTANCE METHOD)

### 5、Net Weight: 100 g/PCS