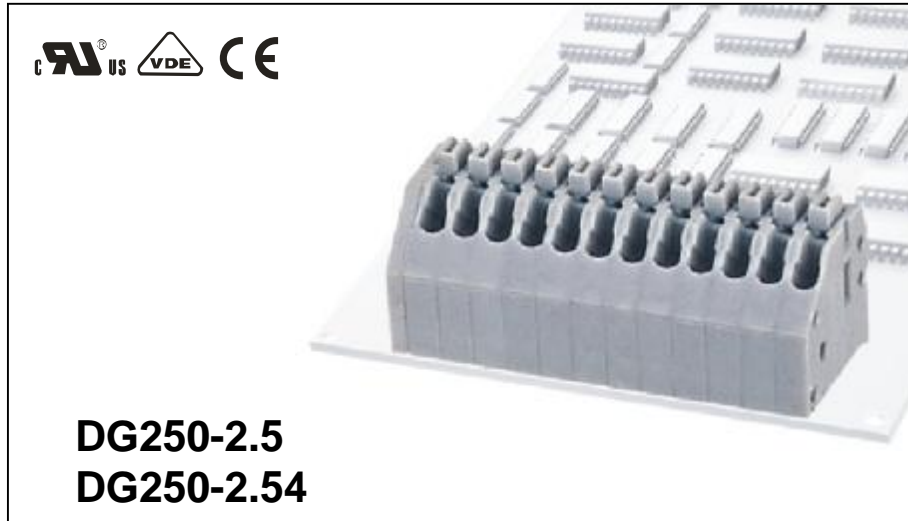


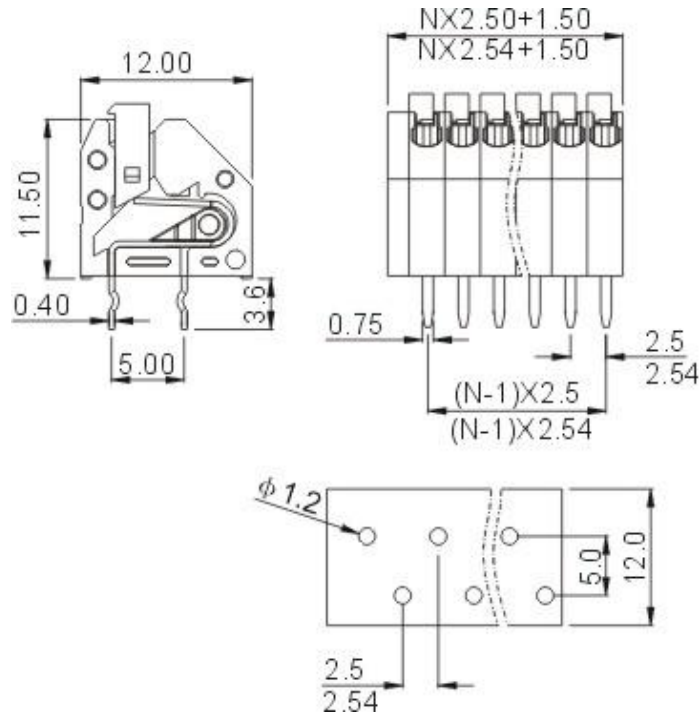


# DEGSON ELECTRONICS CO., LTD.

## Product Specification

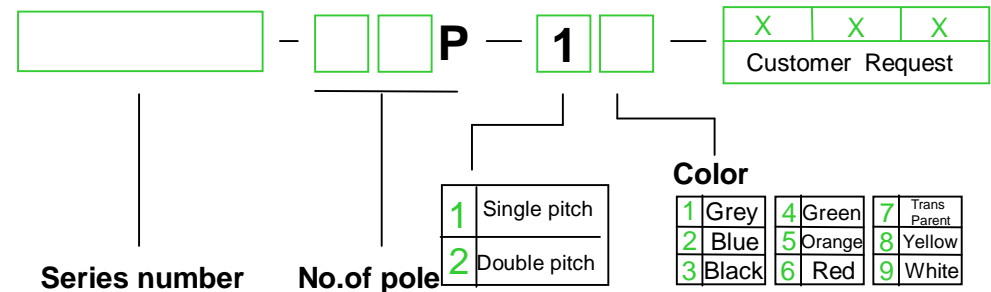


**DG250-2.5**  
**DG250-2.54**



<b>Approval</b>		
<b>Electrical</b>		
<b>Standard</b>	<b>UL</b>	<b>IEC</b>
Rated voltage	300V	250V
Rated current	2A	2A
Wire range	24-20AWG	0.2-0.5mm <sup>2</sup>
Withstanding voltage	AC2000V/1Min	
<b>Mechanical</b>		
Ambient temperature	-40°C ~ +105 °C	
Strip length	8.5-9.5mm	
<b>Dimensions</b>		
Pitch	2.5mm(.098" ) 2.54mm (.100" )	
Poles	1P-XXP	
<b>Material</b>		
Housing	PA66,UL94V-0	
Pin header	Phosphor bronze,Tin plated	

### HOW TO ORDER :



	<b>DEGSON ELECTRONICS CO., LTD.</b>
	<b>NAME</b> <b>DG250-2.5, DG250-2.54</b>