

REV.	DESCRIPTION	DRAWN	CHECKED	APPROVED
A	NEW RELEASE	LJC 01/17/09'	~	

NOTES:

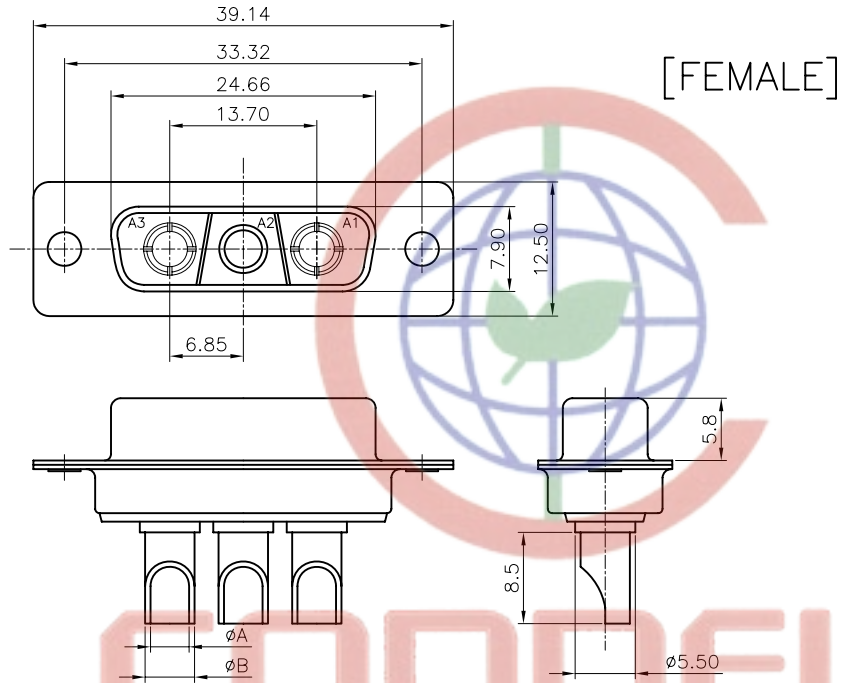
- ELECTRICAL CHARACTERISTICS:
 - CONTACT RESISTANCE: 20mΩ Max. INITIAL.
 - DIELECTRIC WITHSTANDING VOLTAGE: 500V AC(rms)FOR 1 MINUTE.
 - INSULATION RESISTANCE: 1000MΩ Min.
 - CURRENT RATING: 40A.
 - VOLTAGE RATING: 300V
- ENVIRONMENT CHARACTERISTICS:
 - TEMPERATURE RANGE: -45° C ~ +110° C.
- MECHANICAL CHARACTERISTICS:
 - DURABILITY: 500 CYCLES.
 - CONTACT RETENTION FORCE: 1Kgf MINIMUM.
- MATERIALS:
 - SHELL: SPCC.
 - CONTACT: COPPER ALLOY.
 - INSULATOR: THERMOPLASTIC UL 94V-0, GLASS FIBER FILLED.
- PART NUMBER CODE:

DS1033-06- X X X X X

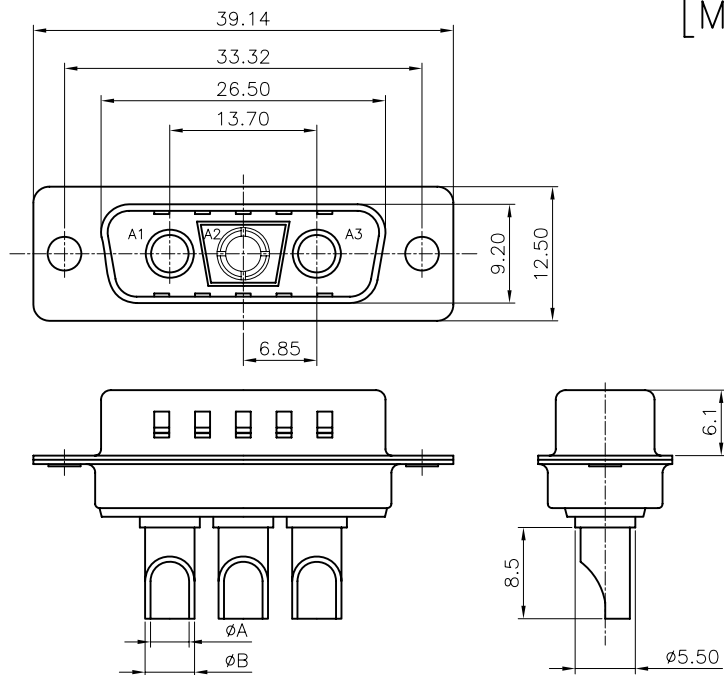
- └ CURRENT RATING
 - 1: 10A
 - 2: 20A
 - 3: 30A
 - 4: 40A
- └ CONTACT PLATING
 - 8: FULL GOLD FLASH
 - C: FULL 3u: GOLD
- └ SHELL PLATING
 - N: FORNT SHELL NICKEL, BACK SHELL TIN
- └ HOUSING COLOR
 - B: BLACK
 - W: WHITE
 - L: BLUE
- └ CONNECTOR TYPE
 - M: MALE
 - F: FEMALE

TYPE	CURRENT RATING	φA	φB
1	10A	φ1.7	φ2.5
2	20A	φ2.7	φ3.6
3	30A	φ3.6	φ4.5
4	40A	φ4.6	φ5.5

[FEMALE]



[MALE]



GENERAL TOLERANCE		ANGLE TOLERANCE		PROJECTION	TITLE	MACHINE PIN D-SUB 2+1 SOLDER TYPE	
X.	±0.60	X.	±5°	mm			
.X	±0.38	.X	±3°		SHEET SIZE	A4	SERIES DS1033-06 SERIES
.XX	±0.25	.XX	±2°				
DRAWING TYPE		CUSTOMER		晨翔电子有限公司 CONNFLY CONNFLY ELECTRONIC CO. LTD			
SCALE		1:1					
DRAWING NO.		C-DS1033-06-XXXX-A					