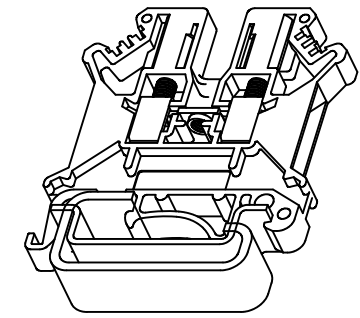
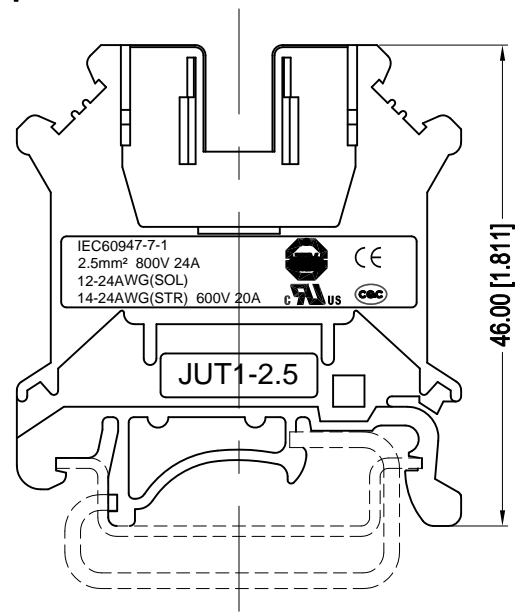
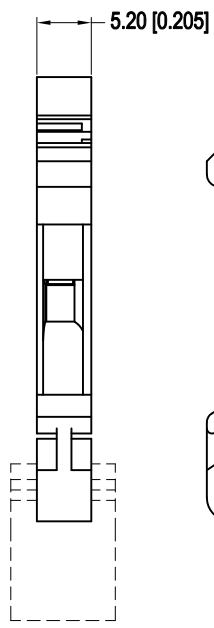
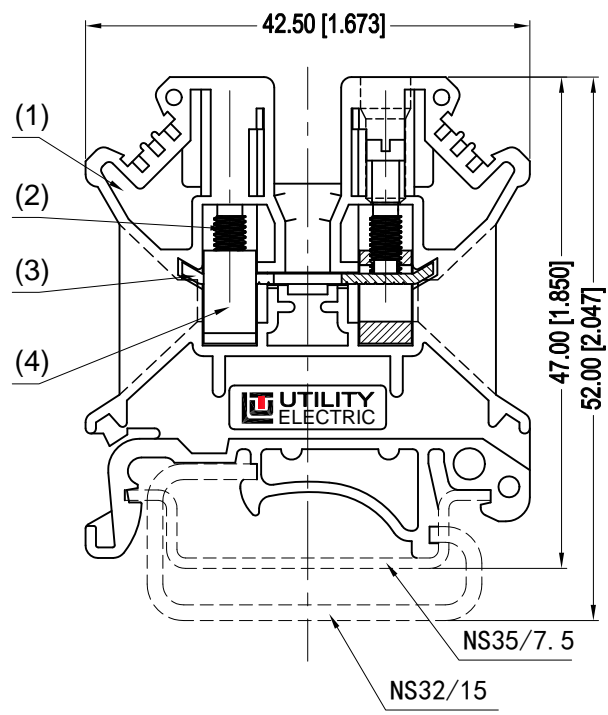


REV. 版次	ECN.NO. ECN. 编号	REVISE.NO. 处数	REVISER 修订者	APPD. 核准
R1	DRAWING			



Technical Data

Material:


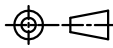
- Body: PA66 UL94 V-0.
- Screw: Brass, Nickel Plated.
- Conductor: Copper, Tin Plated.
- Block: Brass, Nickel Plated.

Electrical:

- Voltage rating/Current rating: IEC 800V/24A;
UL 600V/20 A
- Contact resistance: 20 mΩ Max.
- Insulation resistance: 500V, 500 MΩ Min.
- Withstanding Voltage: AC 2500 V, 1 minute.

Mechanical:

- Torque: 0.6 N.m Max.
- Connection Capacity: 24-14 AWG.
- Stripping Length: 7mm.
- Operating temperature: -45° C to +105° C.

		ZHEJIANG UTILITY ELECTRICAL CO., LTD 浙江尤提乐电气有限公司		
		TYPE NO. JUT1-2.5 型号: JUT1-2.5		TITLE: Customer Drawing 名称: Customer Drawing
APPD. 核准:		DWG. NO.: C-DW0152-0 图号: C-DW0152-0		
0~6 ±0.10 ANGLE ±1°		CHKD. 审核:	SCALE: FULL 比例: FULL	PAGE: 1/1 页码: 1/1
MAT'L. 材质:			DR. 设计: Jammy.ling	UNIT: mm[inch] 单位: mm[inch]
			REV.: R1 版次: R1	