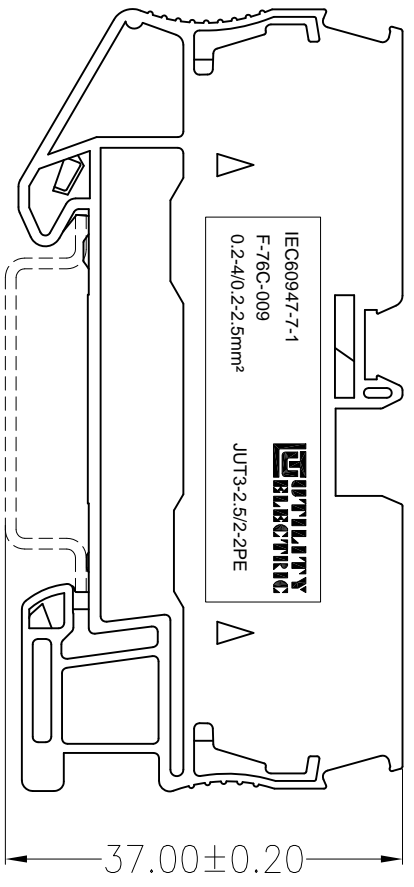
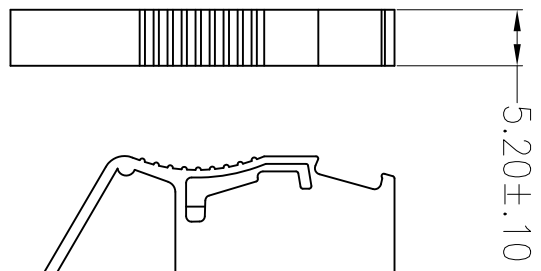
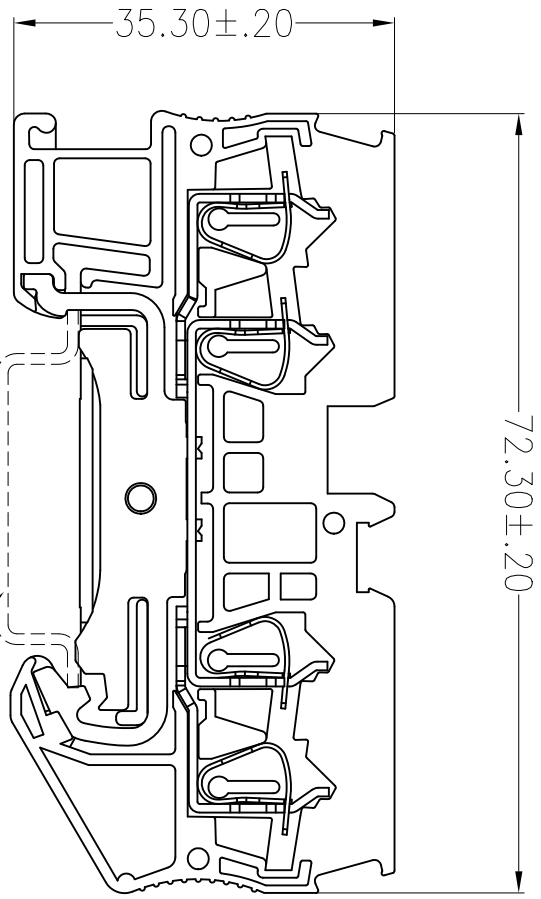


REV.	ECON. NO.	REVISE. NO.	REVISED	APPD.
版本	图号	次数	修订者	核准
R1	DRAWING			



Technical Data

Material:

- Body: PA66 UL94 V-0.
- Conductor: Copper, Tin Plated.
- Spring: SUS 301.

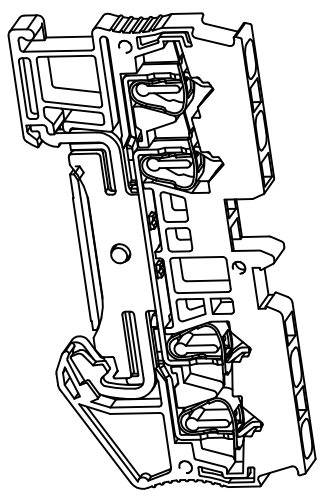
Electrical:

- Voltage rating/Current rating: IEC 800V/24 A; UL 600V/20 A

- Contact resistance: 20 mΩ Max.
- Insulation resistance: 1000V, 1000 MΩ Min.
- Withstanding Voltage: AC 4000 V, 1 minute.

Mechanical:

- Connection Capacity: 24-14AWG.
- Stripping Length: 10mm
- Operating temperature: -45° C to +105° C.



ZHEJIANG UTILITY ELECTRICAL CO., LTD
浙江尤提乐电气有限公司

>120	±0.50				TYPE NO.	JUT3-2.5/2-2PE	TITLE:	名称:	Customer Drawing
>30~120	±0.30				APPD.	核准:	DWG. NO.:	图号:	C-DWG0395-0
>6~30	±0.20				CHKD.	审核:	SCALE:	比例:	FULL
0~6	±0.10	ANGLE	±1°		DR.	设计:	UNIT:	单位:	mm[inch]
MATERIAL		材料:			JAMMY.ling		REV.:	版次:	R1