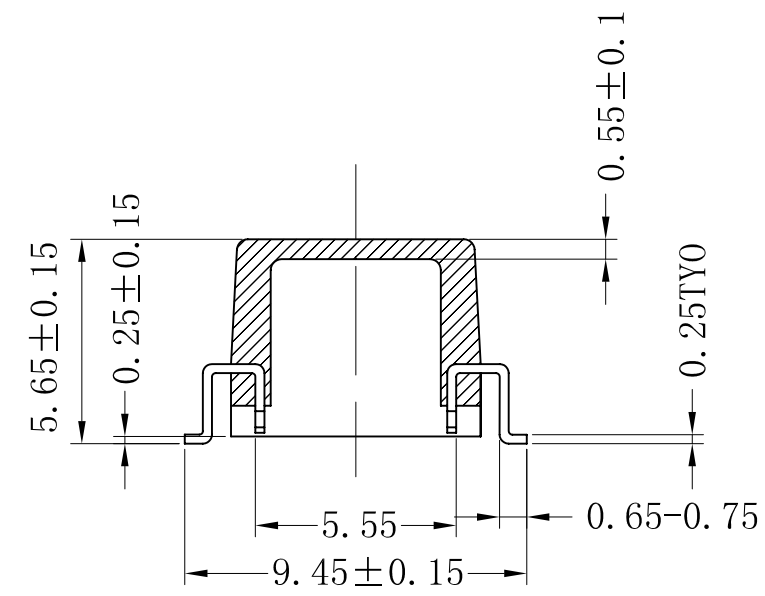
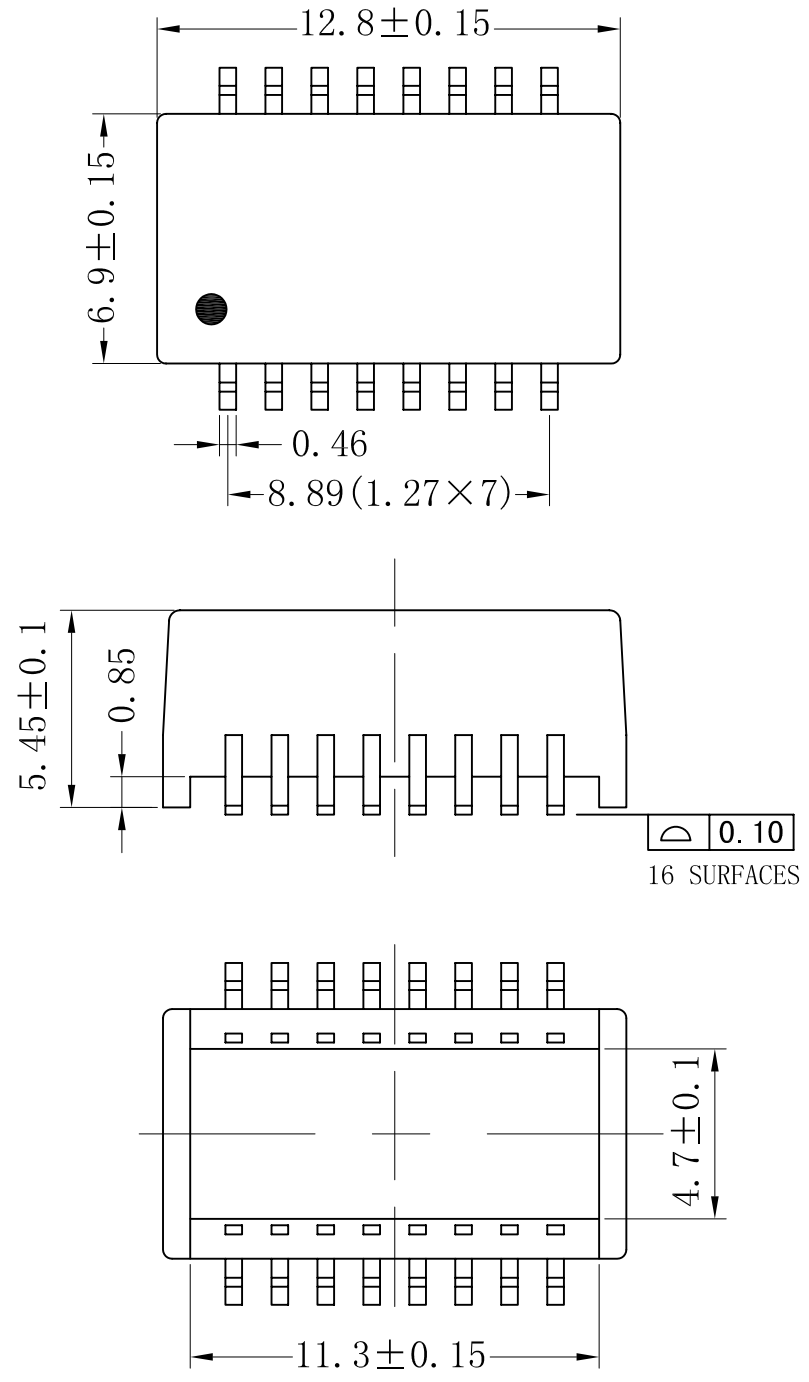


Mechanical :

REV.	ECN NO.	DESCRIPTION	DATE	APPD
A	REL		19/01/2010	



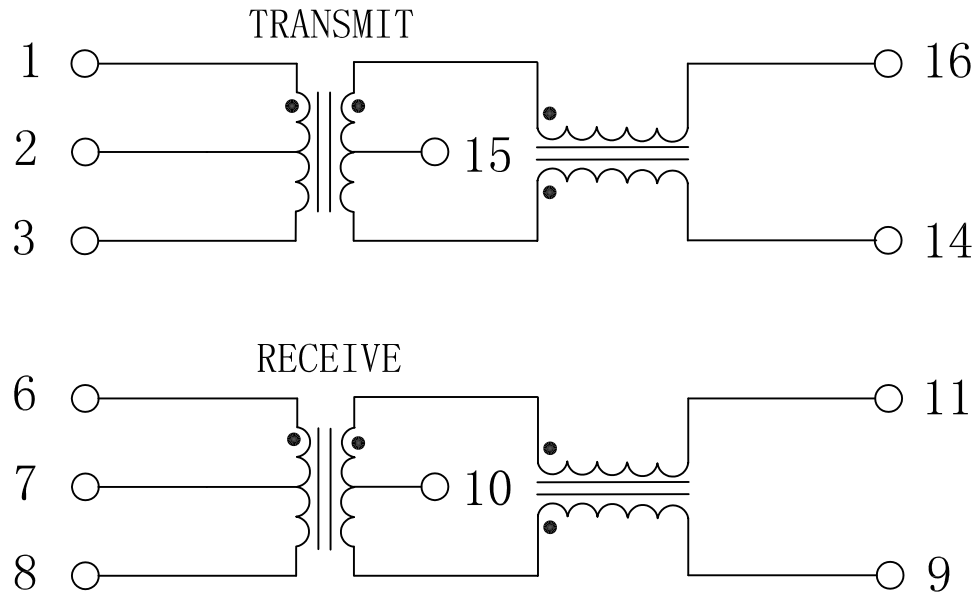
- NOTES:
1. Designed to support application, such as SOHO (ADSL modems), LAN-on-Motherboard (LOM), hub and Switches.
 2. With various Turns Ratios.
 3. RoHS "NL" peak solder rating 260°C.
 4. UL certification: file number E321120



X:X	± 0.20	APPD:	LINK-PP INT'L TECHNOLOGY CO., LIMITED	
X:XX	± 0.10	CHKD:	TITLE: 10/100 Base-T Single Port Transformer Modules	
X:XXX	± 0.05	DR: TOM	PART NO.: LP1102NL	
ANGLES	$\pm 1^\circ$	UNIT: mm		
	SCALE: 2/1	SHEET: 1/2	REV: A	DWG NO.: TRC10011902

Schematic:

REV.	ECN NO.	DESCRIPTION	DATE	APPD
A	REL		19/01/2010	



Electrical Specifications @25°C

1. Turns Ratio:

$$TX=1CT:1CT \quad RX=1CT:1CT$$

2. Insertion Loss:

$$0.1-100MHz:-1.1dB \text{ MAX}$$

3. Return Loss (dB TYP):

$$30MHz:-20 \quad 60MHz:-14$$

$$80MHz:-11.5$$

4. Crosstalk (dB TYP):

$$30MHz:-45 \quad 60MHz:-40$$

$$100MHz:-35$$

5. DCMR (dB TYP):

$$30MHz:-42 \quad 50MHz:-37$$

$$100MHz:-33$$

6. Hipot: 1500Vrms MIN

7. Operating Temperature: 0~70°C



X:X	±0.20	APPD:	LINK-PP INT'L TECHNOLOGY CO., LIMITED
X:XX	±0.10	CHKD:	
X:XXX	±0.05	DR: TOM	TITLE: 10/100 Base-T Single Port Transformer Modules
ANGLES	±1°	UNIT: mm	PART NO.: LP1102NL
	SCALE: 2/1	SHEET: 2/2	REV: A
			DWG NO.: TRC10011902