

1

2

3

4

5

6

7

8

A

B

C

D

E

F

G

H

A

B

C

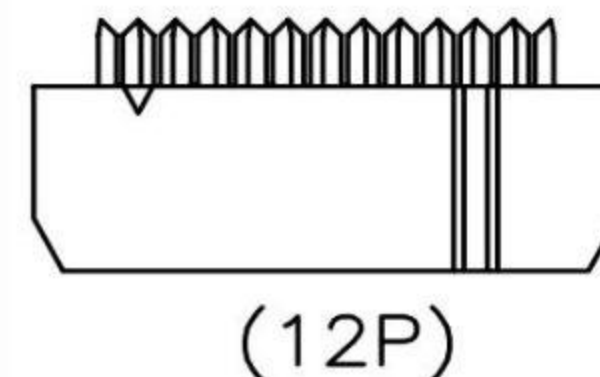
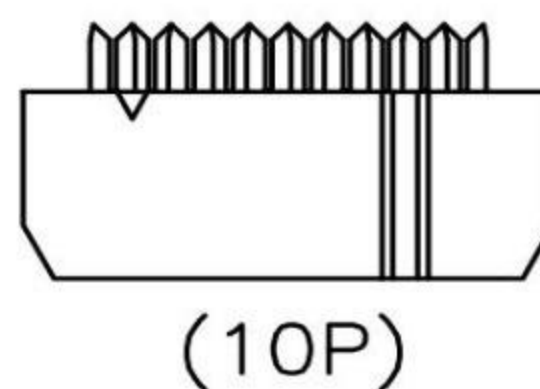
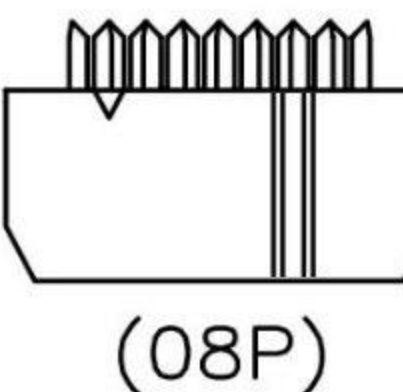
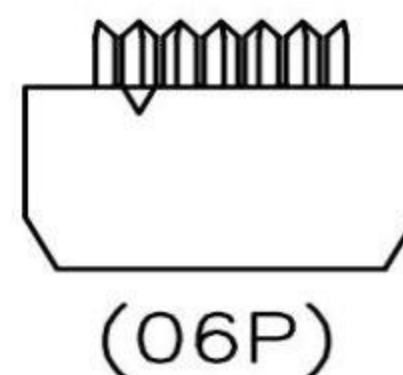
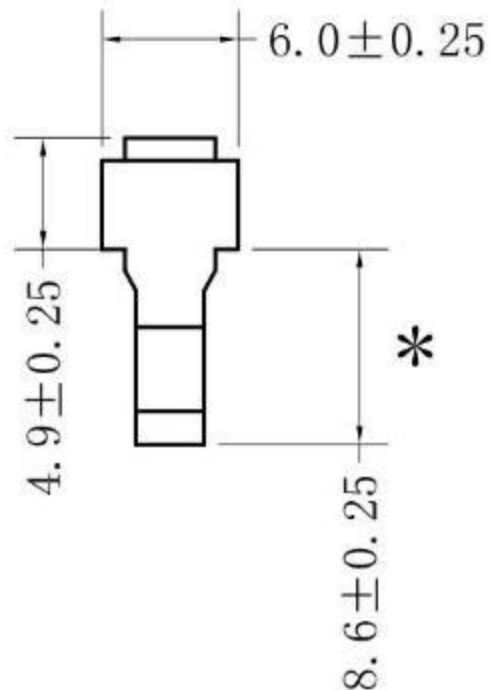
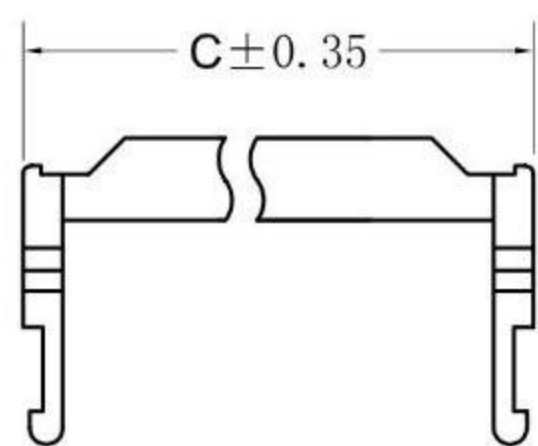
D

E

F

G

H



MATERIAL&FINISH

Insulator: PBT Glass Fiber(UL94V-0)

Contact : Brass

Contact : Gold-Plated Over Nickel.

SPECIFICATIONS

Current Rating : 1A AC,DC

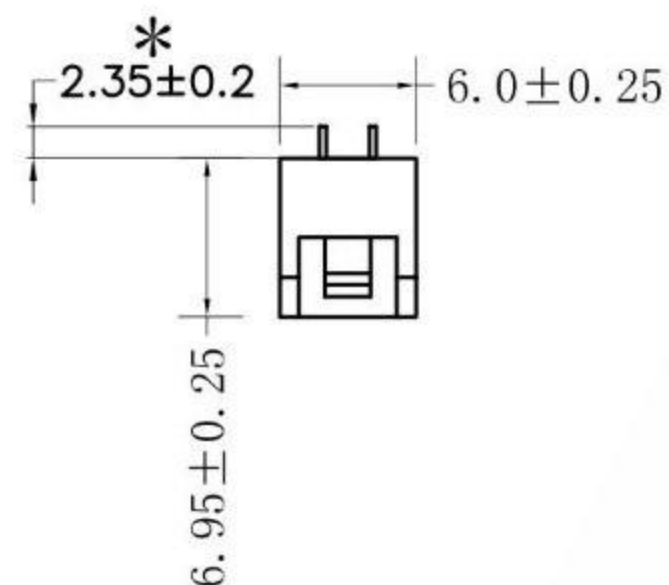
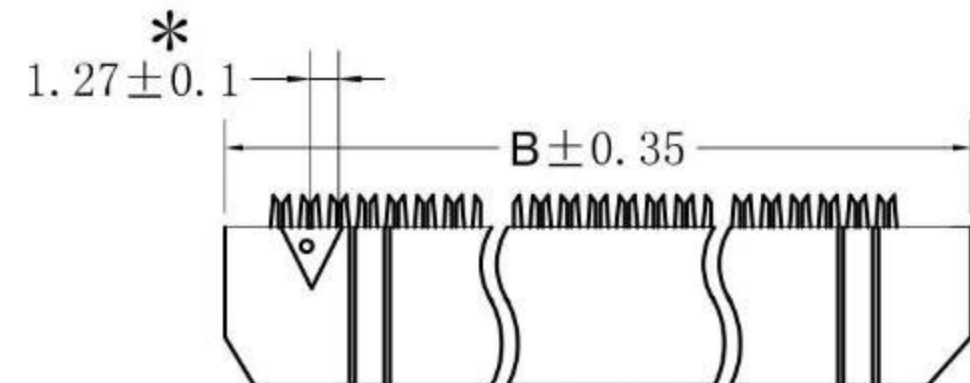
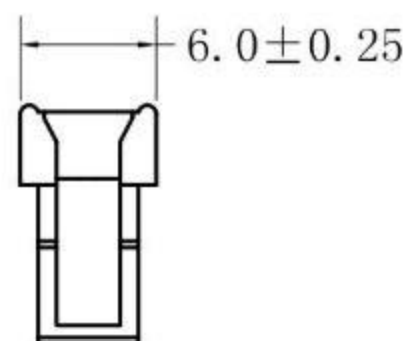
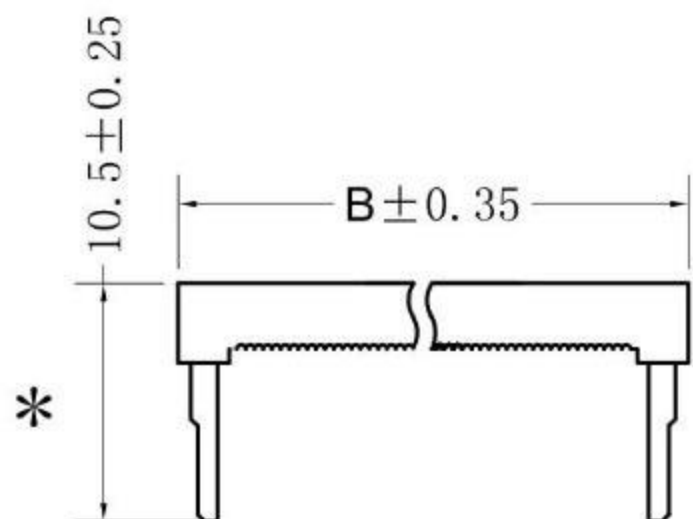
Voltage Rating : 250V AC,DC

Temperature Range: -40°C To+105°C

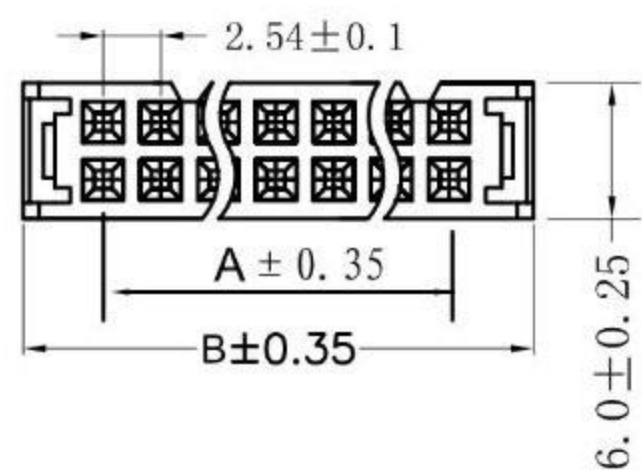
Contact Resistance: 20mΩ Min

Insulation Resistance: 1000MΩ Min

Withstanding Voltage: 500V AC/Min



PART NO	Dim. A	Dim. B	Dim. c	Dim. D
6P	5.08	12.32	12.12	1.42
8P	7.62	14.86	14.66	1.42
10P	10.16	17.40	17.20	1.42
12P	12.7	19.94	19.74	1.42
14P	15.24	22.48	22.28	1.42
16P	17.78	25.02	24.82	1.42
18P	20.32	27.56	27.36	1.42
20P	22.86	30.10	29.90	1.42
24P	27.94	35.18	34.98	1.42
26P	30.48	37.72	37.52	1.42
28P	33.02	40.26	40.06	1.42
30P	35.56	42.80	42.60	1.42
34P	40.64	47.88	47.68	1.42
40P	48.26	55.5	55.3	1.48
50P	60.96	68.20	68.00	1.42
60P	73.66	80.90	80.70	1.42
64P	78.74	85.98	85.78	1.42



1

2

3

4

5

6

7

8