



DEGSON ELECTRONICS CO., LTD.

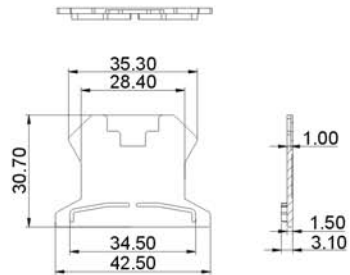
Product Specification



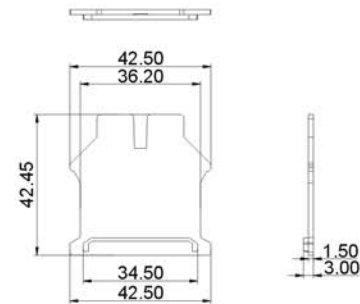
**D-PC 1.5, D-PC 2.5
D-PC 16**

Material	
Housing:	PA66, UL94V-0

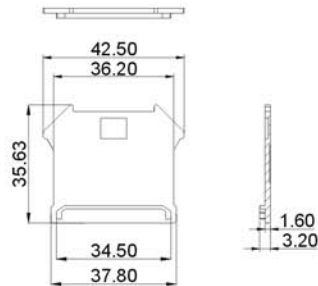
D-PC 1.5



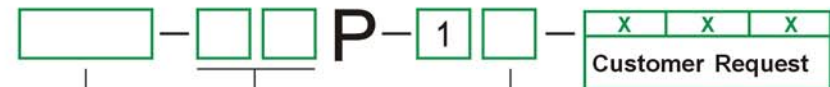
D-PC 16



D-PC 2.5



HOW TO ORDER:



Series No. No of Pole

Color

1 Gray	4 Green	7 Trans- parent
2 Blue	5 Orange	8 Yellow
3 Black	6 Red	9 White



DEGSON ELECTRONICS CO., LTD.

NAME

**D-PC 1.5, D-PC 2.5
D-PC 16**