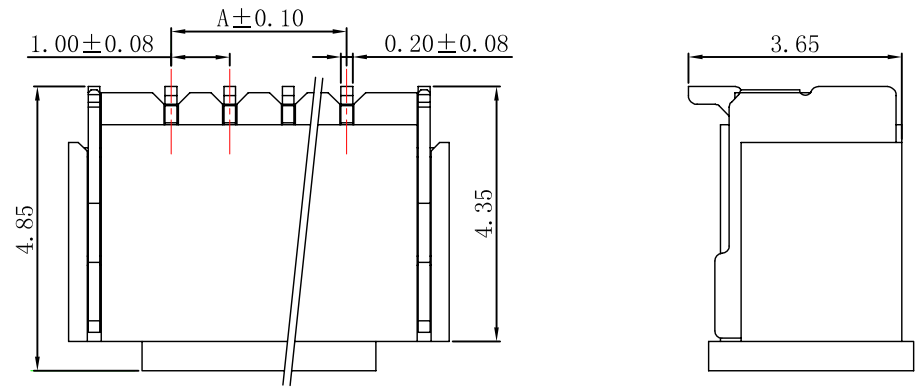


RoHS

REVISION DATE

ITEM	DESCRIPTION	DATE
A	Issue	

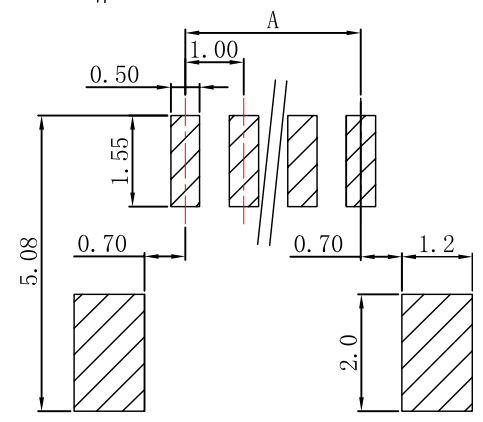
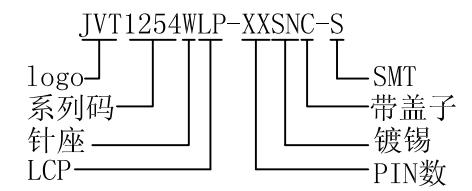
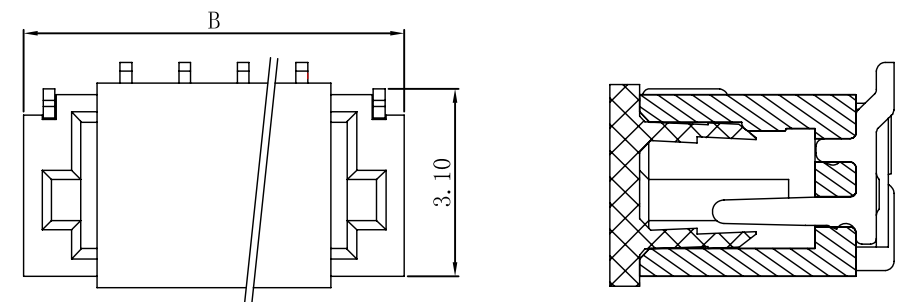


■ SPECIFICATION

- Voltage rating: 50V AC, DC
- Current Rating: 0.5A, AC, DC
- Withstand voltage: 500V AC/minute
- Contact resistance: 30mΩ max
- Insulation resistance: 500MΩ min
- Temperature range: -20° C ~ +85° C

■ WAFER

- Material: Base, LCP UL94V-0
Terminal, Phosphor Bronze Tin-plated
Solder, Phosphor Bronze Tin-plated



Poles	DIM		Poles	DIM		Poles	DIM	
	A	B		A	B		A	B
2	1.00	4.00	9	8.00	11.00	16	15.00	18.00
3	2.00	5.00	10	9.00	12.00	17	16.00	19.00
4	3.00	6.00	11	10.00	13.00	18	17.00	20.00
5	4.00	7.00	12	11.00	14.00	19	18.00	21.00
6	5.00	8.00	13	12.00	15.00	20	19.00	22.00
7	6.00	9.00	14	13.00	16.00			
8	7.00	10.00	15	14.00	17.00			

投影 (PROJECT)		公差 (TOLERANCE)
单位 (UNIT)	mm	0 ±0.40
比例 (SCALE)	FIT	0.0 ±0.30
版本 (EDITION)	A	0.00 ±0.20
日期 (DATE)	2013 07 09	0.000 ±0.05

东莞市乔业电子有限公司
DONG GUAN CHYAO YEE (JVT) CONNECTORS CO., LTD.

绘图 (DRAWN)	TONY	品 号 (PART NO)	JVT1254WLP-XXSNC-S	页 次 (PAGE)	
审核 (CHECKED)	CHEN	图 号 (DRAW NO)	041-1253-01		1/1
核准 (APPROVE)		品 名 (NAME)	SH1.0 立式 WAFER 带盖子		