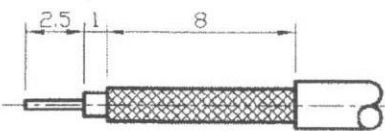
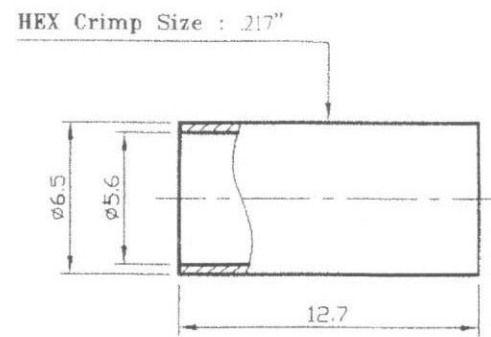
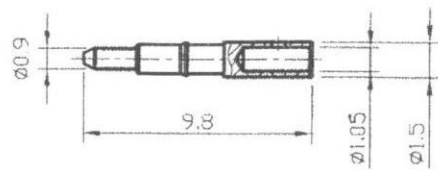
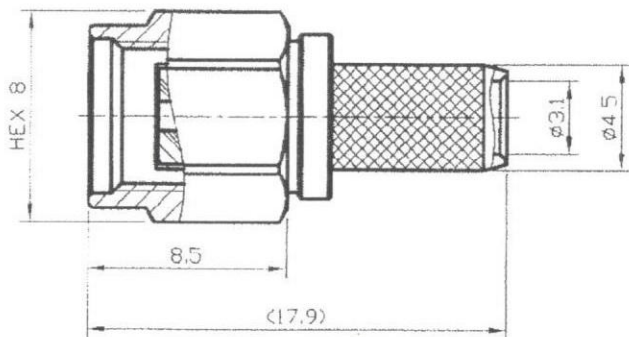


1 2 3 4 5 6 7 8

A
B
C
D
E
F


A
B
C
D
E
F



RECOMMENDED STRIP LENGTHS

07	FERRULE	BRASS	1	GOLD	
06	CENTER PIN	BRASS	1	GOLD	
05	BODY	BRASS	1	GOLD	
04	INSULATOR	TEFLON	1		
03	INNER RETAINING RING	STAINLESS	1		
02	GASKET	SILICONE	1	RED	
01	SHELL	BRASS	1	GOLD	
NO	DESCRIPTION	MATERIAL	Q'TY	FINISH	ITEM

R&D	
APPROVED	
TOLERANCES	±0.1
圖紙比例 SCALE	5:1
ALL DIMENSION IN MM (UNLESS OTHERWISE SPECIFIED)	



SMA916

品名 P/N	SMA916		版本 REV	A
料號 TITLE	SMA , Plug Crimp For RG58A/U Cable			
RoHS COMPLIANT		UNIT WEIGHT: 3.95 g		

1 2 3 4 5 6 7 8