

XY302R-3.5

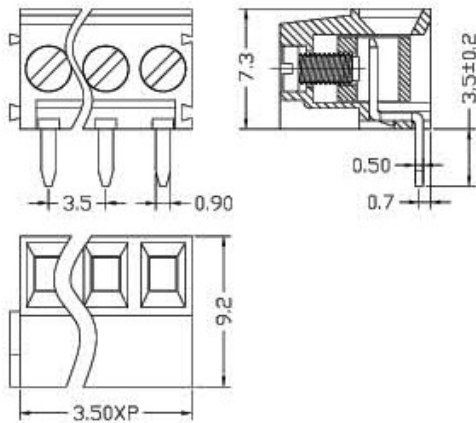


Dimensions

Poles: 2P,3P-24P
Pitch: 3.5mm(.138")

Electrical

Standard: UL IEC
Voltage Rating: 150V 130V
Current Rating: 10A 10A
Wire range: 26-16AWG 1.0mm²
Withstand voltage AC2000V/Min



Mechanical

Torque: 0.2N.m(1.7Lb-In.)
Ambient temperature -40°C~+105°C
Strip length 5mm

Material

Housing: PA66(UL 94V-0)
Pin header: Brass, Tin Plated
Wire Cage: Brass, Nickel Plated
Screw: M2, steel, A3 Zn plated