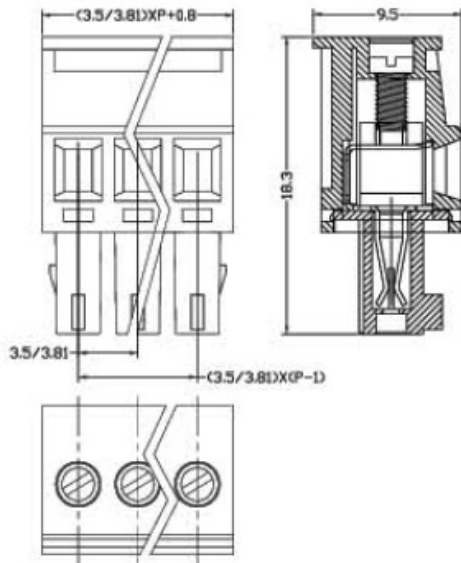


XY2500FF-3.5 XY2500FE-3.81



Dimensions

Poles: (2P-24P)
Pitch: 3.5mm(.138") 3.81mm(.150")

Electrical

Standard: UL IEC
Voltage Rating: 300V 250V
Current Rating: 8A 7A
Wire range: 28-16AWG 0.5-1.5mm²
Withstand voltage AC2500V/Min

Mechanical

Torque: 0.2N.m(1.7Lb-In.)
Ambient temperature -40°C~+105°C
Strip length 6-7mm

Material

Housing: PA66(UL 94V-0)
Contact: Phosphor Bronze,Nickel Plated
Wire Cage: Brass,Nickel Plated
Screw: M2,steel,Q235, Zn plated