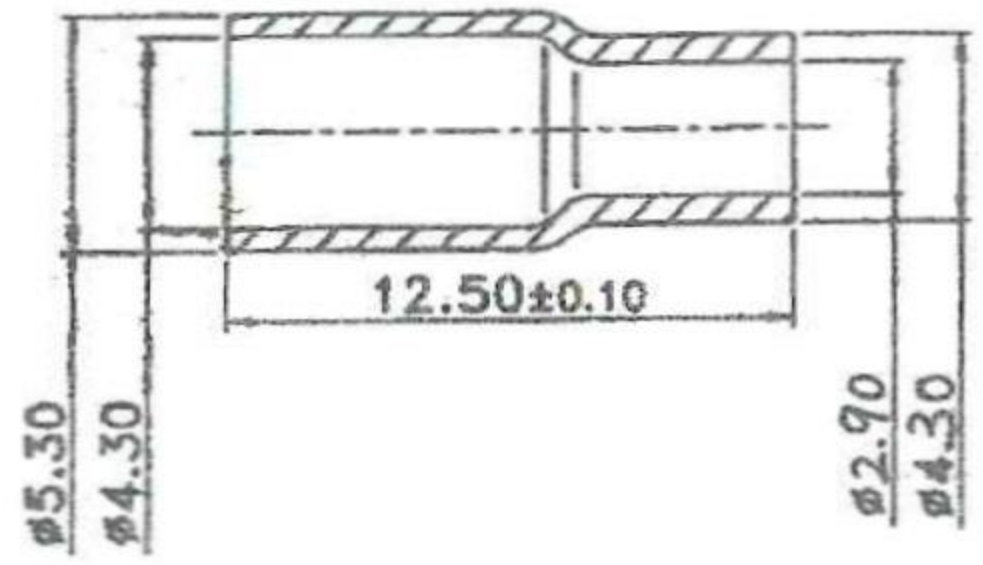
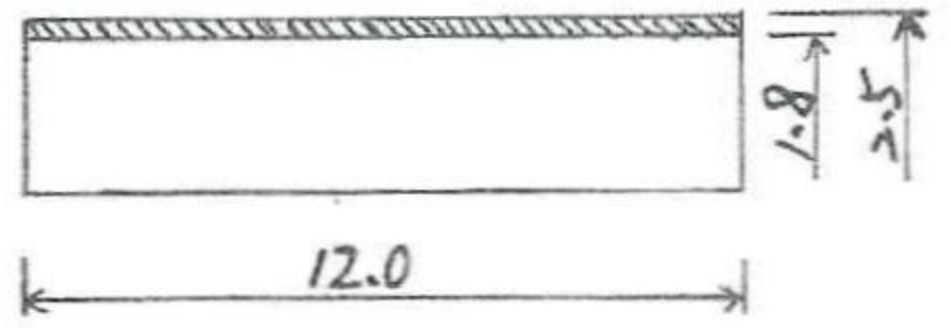
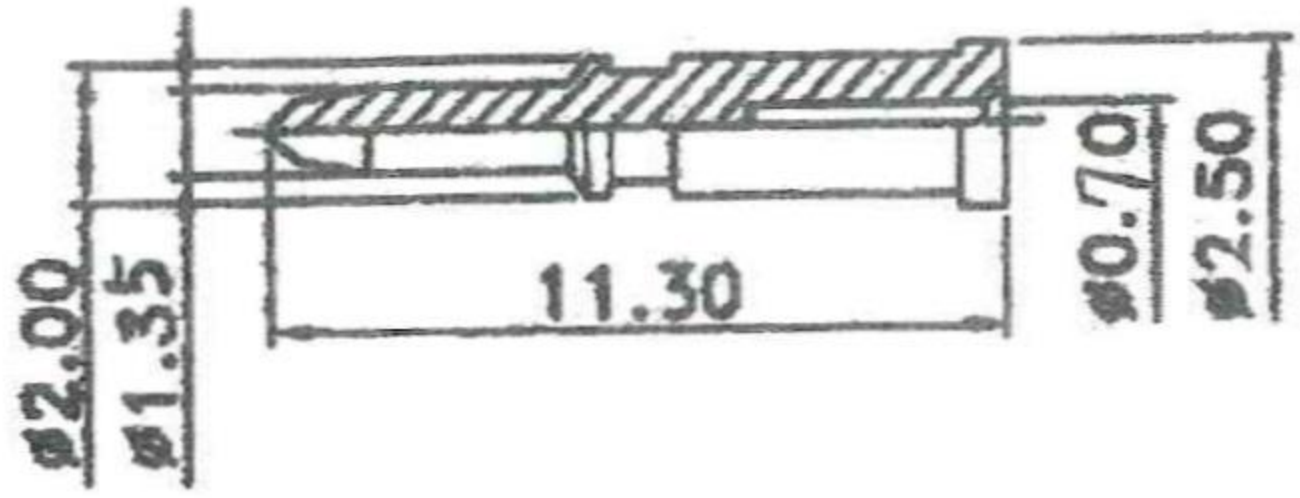
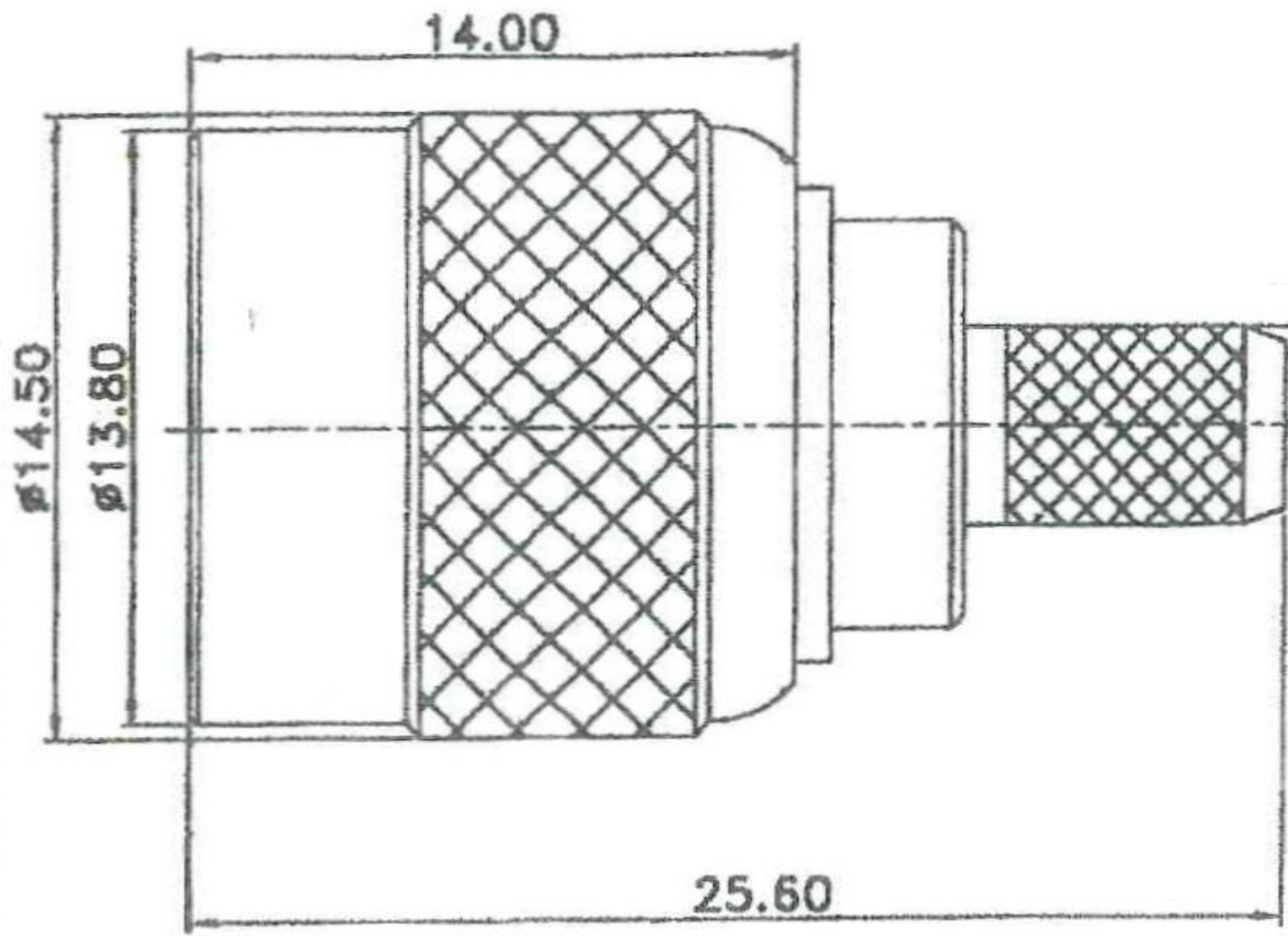


REV	DESCRIPTION	DRAWN	DATE



8	GASKET	1	RUBBER	RED
7	RETAINING RING	1	BRASS	NICKEL
6	SLEEVE	1	BRASS	NICKEL
5	SHELL	1	BRASS	NICKEL
4	FERRULE	1	BRASS	NICKEL
3	DIELECTRIC	1	PTFE	NONE
2	PIN	1	BRASS	GOLD
1	BODY	1	BRASS	NICKEL

UNLESS OTHERWISE SPECIFIED  
 1. REMOVE ALL BURRS  
 2. BREAK ALL CORNERS & EDGES 0.15 MAX.  
 3. CHAMFER 1ST & LAST THREADS 45°  
 4. DIAMETERS ON CONTACT CENTERS TO BE CONCENTRIC WITH DIA. TTB

UNLESS OTHERWISE NOTED TOLERANCES  
 0.5-8 = ±0.2  
 8-30 = ±0.4  
 30-120 = ±0.6  
 120-315 = ±1.0  
 ANGLES = 11°



**TNC302**  
**174U**