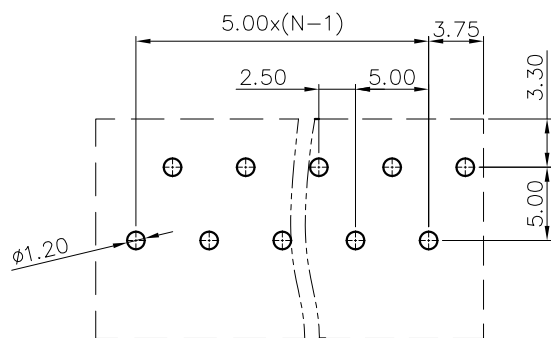
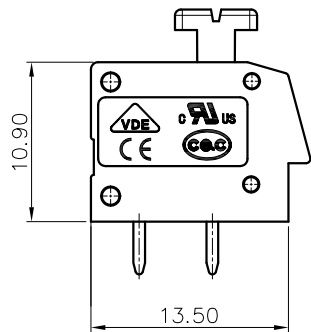
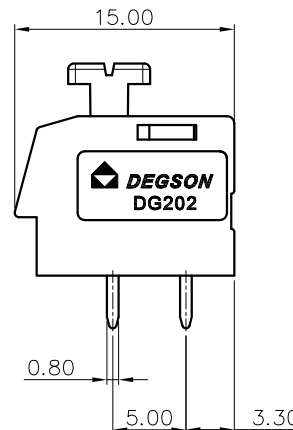
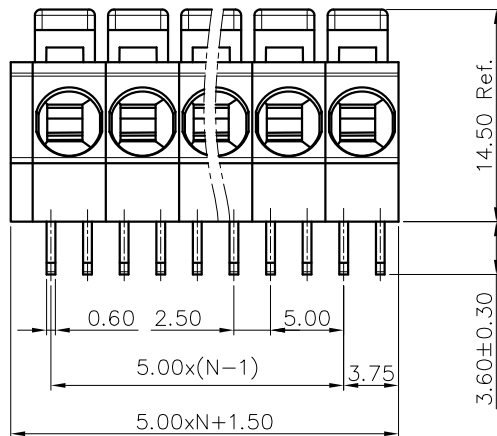
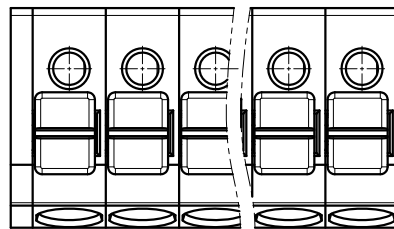


REVISION RECORD				
REV	ECN	DESCRIPTION	DRFT	DATE



PCB LAYOUT

NOTES1:

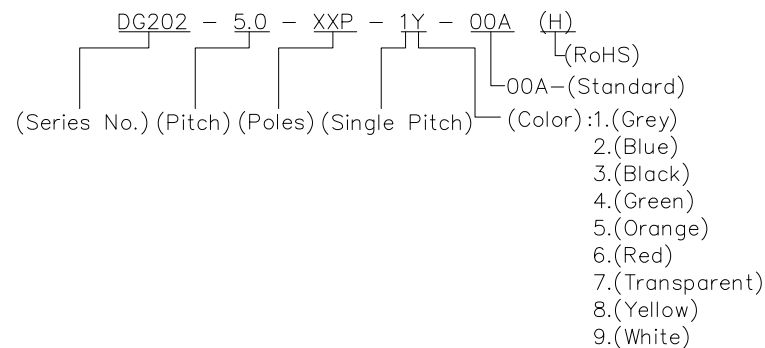
- UL Standard
 - 1. Rated voltage/current : 300V / 12A
 - 2. Wire range : 20~12AWG
- IEC Standard
 - 1. Rated voltage/current : 450V / 16A
 - 3. Wire range : 0.2~2.5mm²

NOTES2:

- 1. Dimension shall be interpreted per ASME Y14.5-2009
- 2. Pitch : 5.0mm, Poles : N=01-XXP
- 3. Stripping length : 10~11mm
- 4. Withstanding voltage : AC2500V/1Min
- 5. Operating temperature : -40°C~+105°C
- 6. Undimensioned tolerances:

Pitch range in mm	Nominal dimension range in mm						0.1/10
	Over 6 TO 10	Over 10 TO 24	Over 30 TO 30	Over 30 TO 60	Over 60 TO 100	Over 100 TO 150	
±0.15 ±0.20	±0.30	±0.30	±0.50	±0.70	±1.00	±1.30	±2'

7. RoHS Compliance



DETACHED LISTS	PART NO.:	/			
	APPD:	/			
	CHKD:	/			
	DRFT:	/			
NAME:		NINGBO DEGSON ELECTRICAL CO., LTD			
TITLE:		CUSTOMER DRAWING			
DRAWING NO.:		/			
THIRD ANGLE PROJECTION		DO NOT SCALE DRAWING			
MM (INCH)		REV	DO	SHEET	
SCALE		1:1	1/1	1	