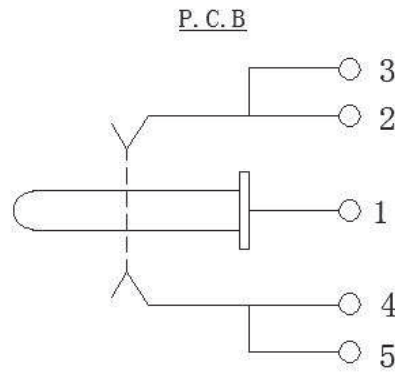
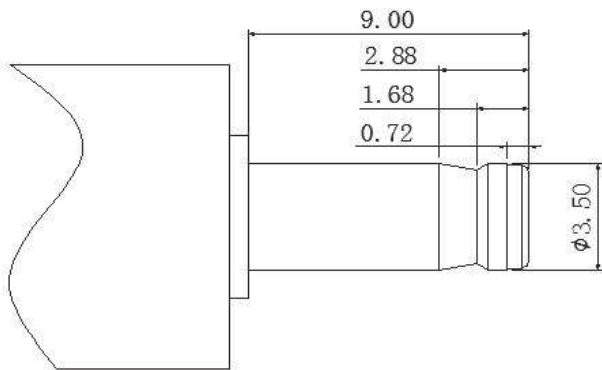
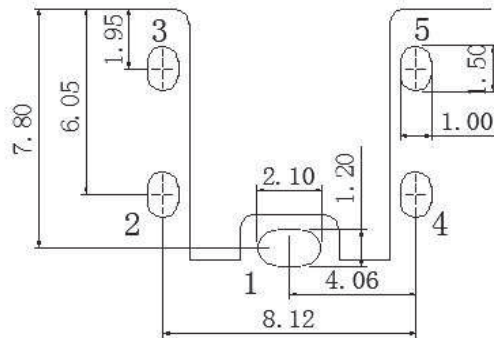
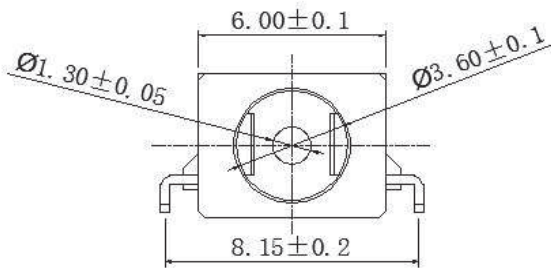
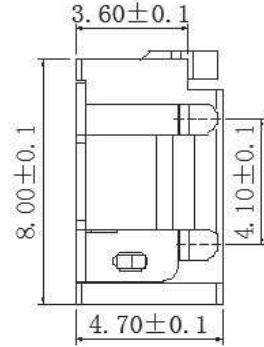
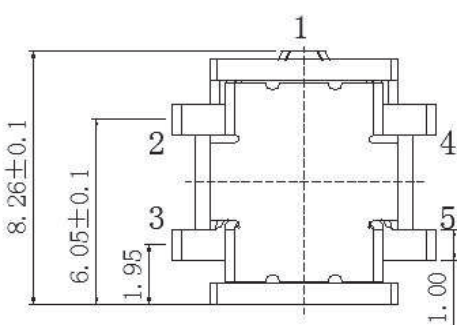


CUSTOMER	CUSTOMER'S P/N	GYE'S P/N	PRODUCT	REVISION
		DC-035	DC JACK	A



电路图

NO.	NAME	MATERIAL	QTY	FINISHING
1	Contact	Copper	1	Ni (镍) 底/Ag (银)
2	Terminal	Phosphor Copper	1	Ni (镍) 底/Ag (银)
3	Case	LCP	1	