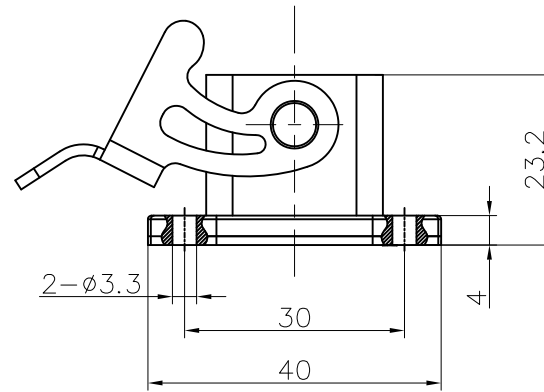
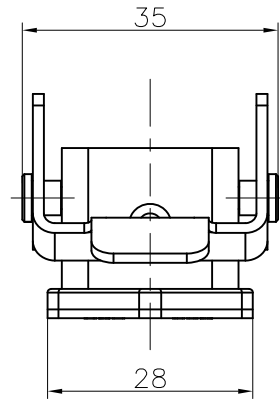
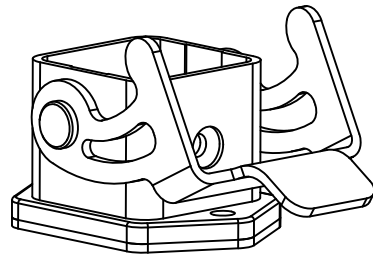
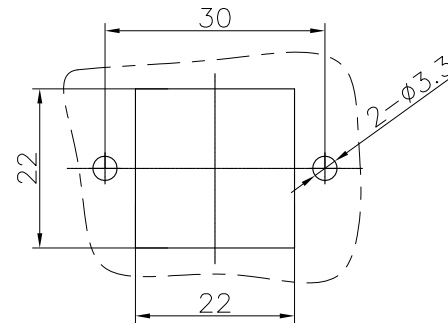


REVISION RECORD				
REV	ECN	DESCRIPTION	DRFT	DATE



Panel cut out



Housings Feature:

1. Material: Zinc die-cast (Housings)
2. Colour: Grey (RAL7037)
3. Locking element, Lever type: Lever
4. Material: Metal zinc-plated (Lever)
5. Housings Seal: NBR
6. Limiting temperatures: -40°C ~ +125°C
7. Flammability acc. to UL94: V0
8. Degree of protection acc. to DIN EN 60529 for coupled connector: IP65
9. Rohs Compliance

DETACHED LISTS	PART NO.:	/			宁波高松电子有限公司 NINGBO DEGSON ELECTRICAL CO., LTD
	APPD:	NAME:			
	CHKD:	D3A-BK-1L			
	DRFT: Mr. Yang 2016.08.08	TITLE: CUSTOMER DRAWING	REV	DO	
	THIRD ANGLE PROJECTION	DRAWING NO.:	SHEET	1/1	
	MM (INCH)	DO NOT SCALE DRAWING	SCALE		