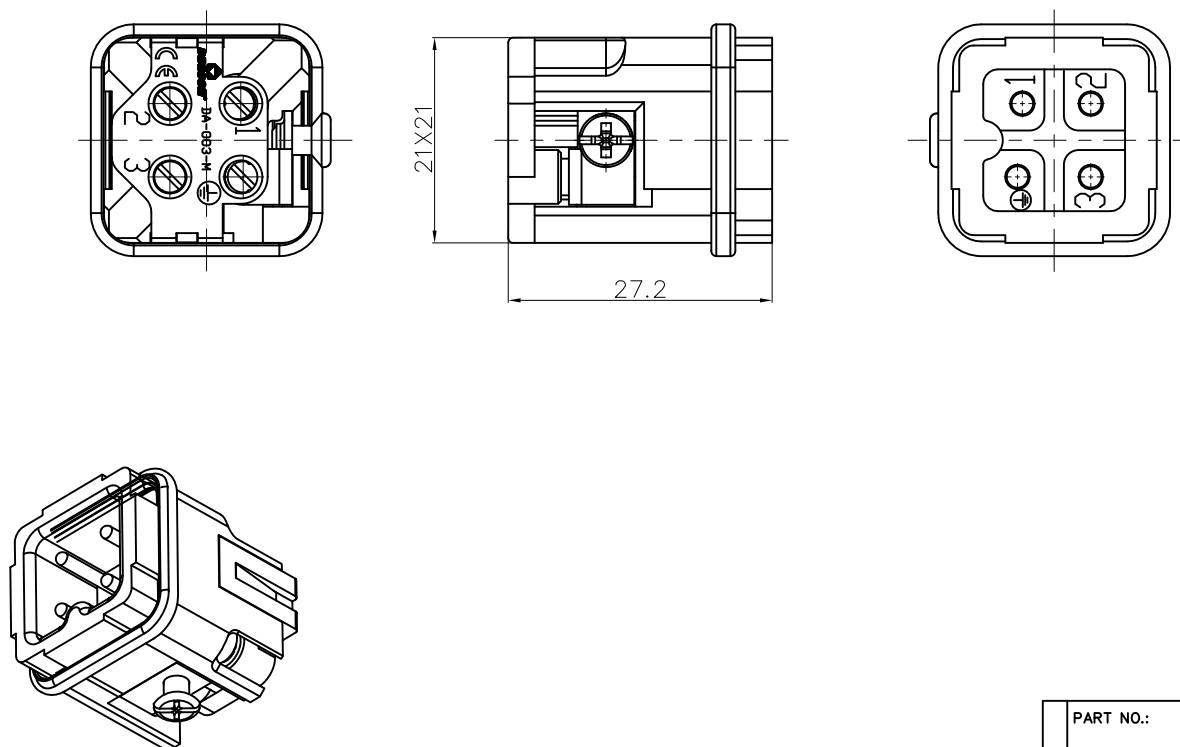


REVISION RECORD				
REV	ECN	DESCRIPTION	DRFT	DATE



Technical characteristics:



Specifications  
 DIN EN 60 664-1  
 DIN EN 61 984

Inserts

- 01.Number of contacts :3+PE
- 02. Rated Current :10A
- 03. Rated Voltage conductor-ground :230V
- 04. Rated Voltage conductor-conductor :400V
- 05. Pollution degree :3
- 06. Rated impulse voltage :4kv<sup>10</sup>
- 07. Insulation resistance :≥10<sup>10</sup>
- 08. Material:Polycarbonate
- 09. Rated voltage acc.to UL/CSA:600V
- 10. Limiting temperatures : -40℃~+125℃
- 11. Flammability acc.to UL94:V0
- 12. Mechanical working life  
(mating cycles) :≥500

Contacts

- 01. Material:Copper alloy
- 02. Surface:hard-silver plated
- 03. Contact resistance :≤1mΩ
- 04. Terminal :Screw terminal
- 05. Wire gauge :1.0-2.5mm<sup>2</sup> (AWG 18-14)
- 06. Tightening torque :0.25Nm
- 07. Stripping length :7mm
- 08. Rohs Compliance

DETACHED LISTS	PART NO.:	/	 宁波高松电子有限公司 NINGBO DEGSON ELECTRICAL CO., LTD	
	APPD:		NAME: DA-003-M	
	CHKD:			
	DRFT: Mr.Yang 2016.07.25	TITLE: CUSTOMER DRAWING	REV	DO
 THIRD ANGLE PROJECTION		DRAWING NO.:	/	SHEET 1/1
		MM (INCH)	DO NOT SCALE DRAWING	SCALE