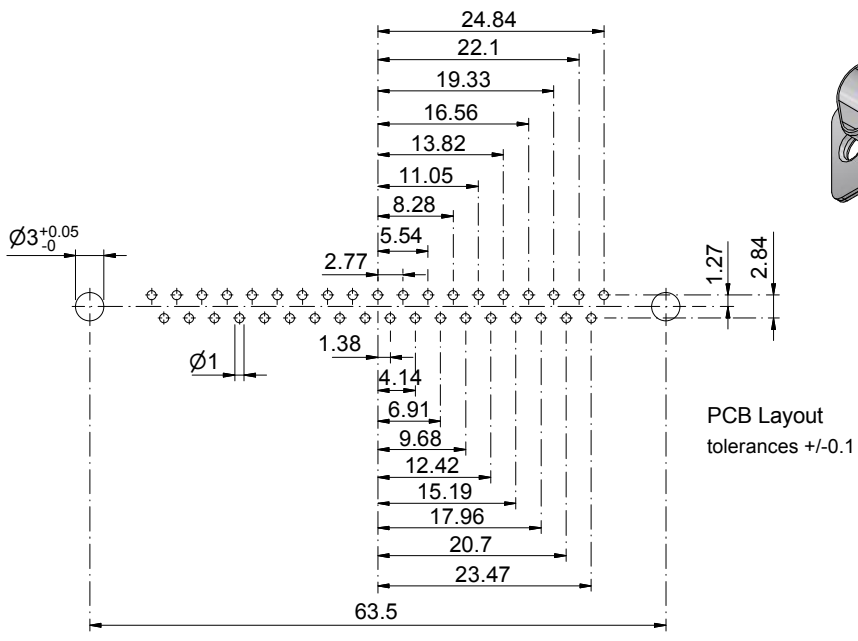
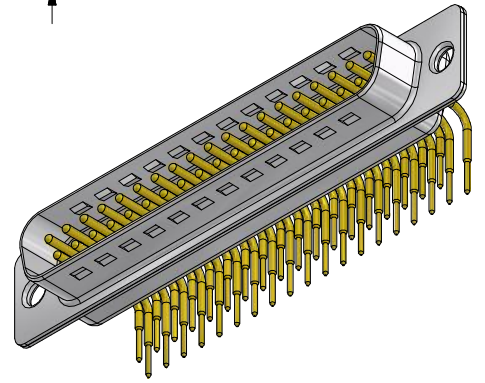
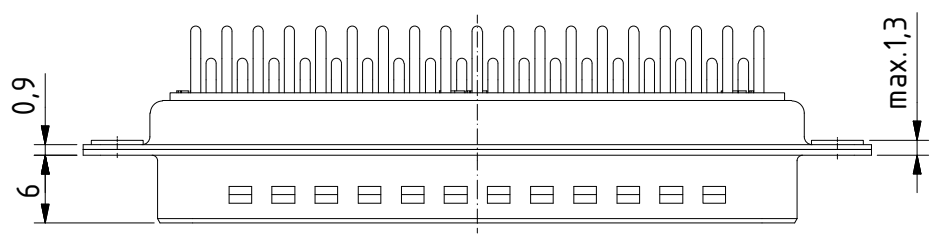
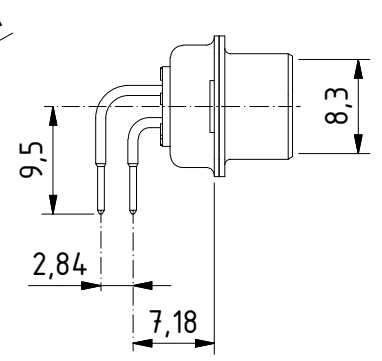
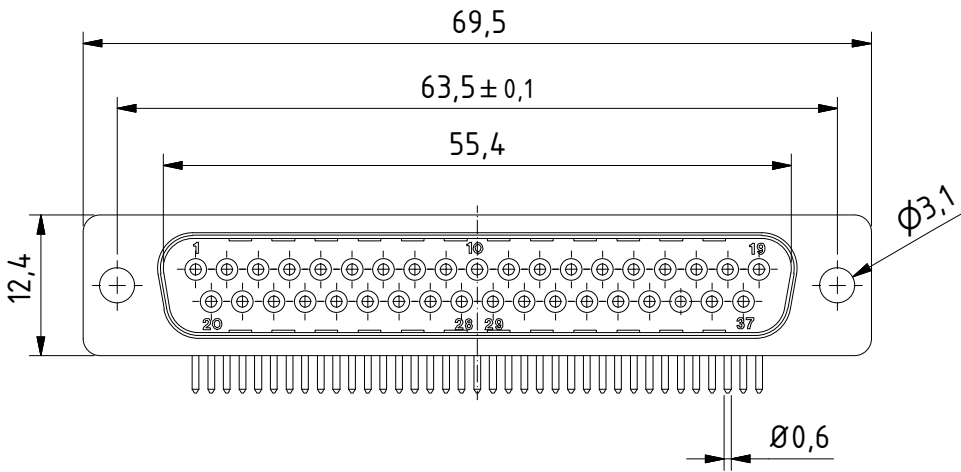


RoHS compliant



PCB Layout tolerances +/-0.1


MATERIALS

- Insulator: Thermoplastic UL 94-V-0 white
- Contact: Copper alloy
- Contact finish: Quality class 2
- Shell: steel tin plated

CHARAKTERISTICS

- Working voltage: 125V
- Current rating: 5A
- Contact resistance: max. 10mΩ - DIN41652
- Insulation resistance: >5GΩ
- Temperature range: -55° to +125°C

General tolerances (Deltron standard)	
size in mm	tolerances
> 0.5	±0.1
up to 3	±0.2
up to 6	±0.2
> 6	±0.2
up to 30	±0.2
> 30	±0.3
up to 120	±0.3

modification	Rev.	Rev.	Rev.	DE008546 part no.		
	Rev.	Rev.	Rev.			
DTS37PYCA/2	1.5:1 scale	drawn	08.03.2010	mr		
		checked				
		approved				
 Industrie NeuhoF 8c CH-3422 Kirchberg				K060882 drawing no.		