



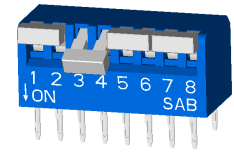
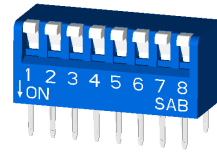
RoHS Compliant

BIWIN / SAB

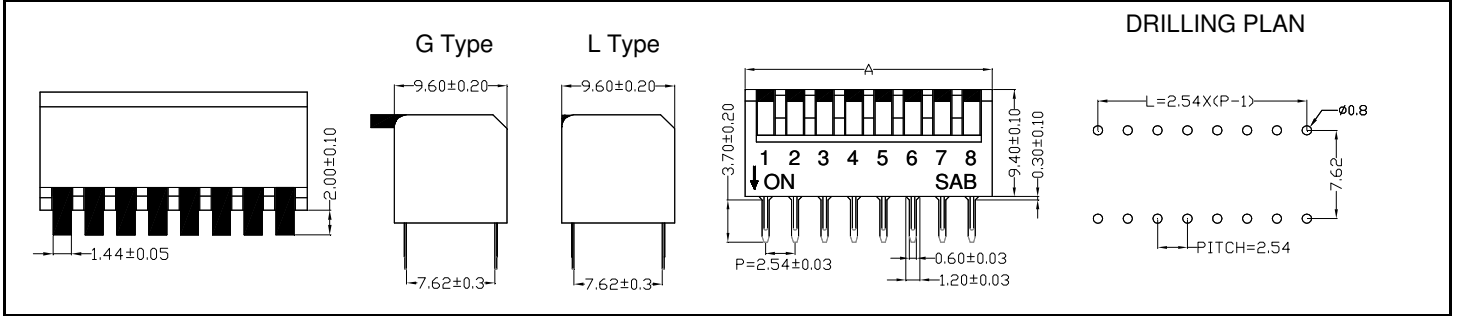
BPE/BPE2F Series—Piano Type DIP Switch

Features

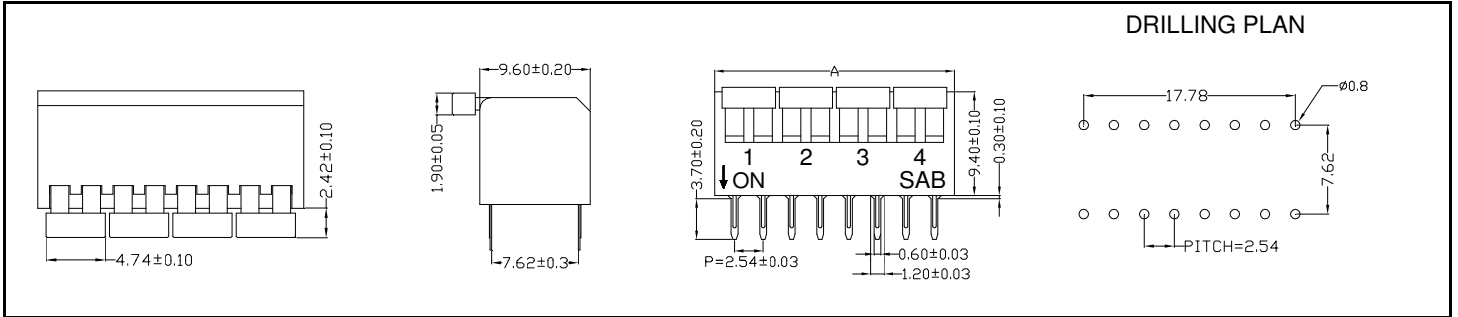
- By employing engineering plastic, this item has an excellent heat and chemical resistance.
Standard gold-plated contact points & double movable contacts ensure reliability and longer life expectancy.
Compatible for automatic cleaning. High pressure wiping contacts allows aqueous of solvent cleaning.
Insert-molding technology guarantee to avoid epoxy and water from intruding.



BPE



BPE2F



Specifications

- Contact Rating: Switching 25mA, 24VDC; Non-Switching 100mA, 50VDC.
Contact Resistance: Initial 50mΩ Max; After Life Test 100mΩ Max.
Insulation Resistance: 100MΩ min at 500VDC.
Dielectric Strength: 500VDC/1 minute.
Operating Force: 1,000g Max.
Mechanical Life: 5,000 cycles; Electrical Life: 2,000 cycles.

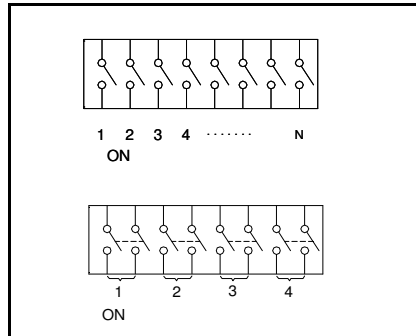
Soldering information

- Hand Soldering: Soldering Iron 30W(or under) at 350°C/3 sec. Max. or at 270°C/5 sec. Max.
Wave Soldering: Temperature: 260°C/10 sec. Max.
Keep all actuators in "OFF" position during soldering and cleaning process.

Packaging Information

- All DIP switches are shipped in Tube.
Actuators all in "OFF" position.

Wiring Diagram



Materials

- Cover: High Temperature UL 94V-0 Thermoplastic, Blue, Red, Black.
Base: High Temperature UL 94V-0 Thermoplastic Black.
Actuator: High Temperature UL 94V-0 Thermoplastic, White.
Terminal & Movable Contact: Copper Alloy with Gold Plated.
Terminal: Copper Alloy with Pure-Tin Plated.
Tape Sealed: Polyester Film.

Table with 4 columns: P/N, No. Of Pole, Dim. A, Quantity per Tube. Lists models BPE01-12 and BPE2F01-06 with their respective dimensions and quantities.

Order Information

